

Installation Guide for AC-6000 V1.4

Fingerprint Identification Terminal



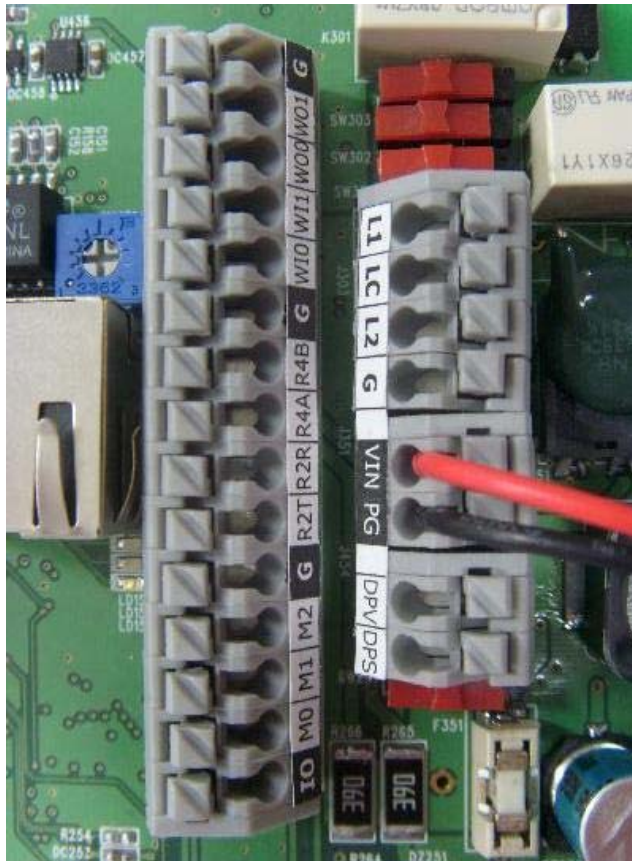
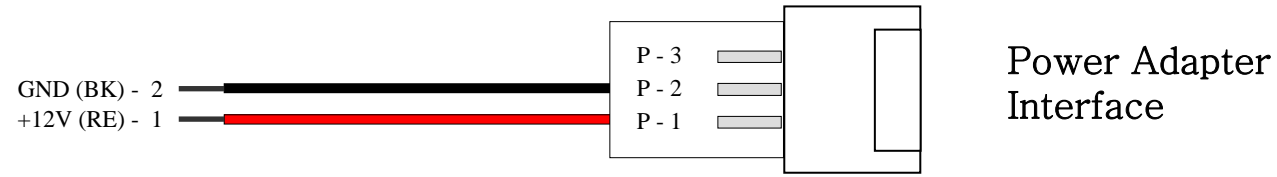
Doc. Ver. : V1.10

Sep., 01.2009

R&D Center

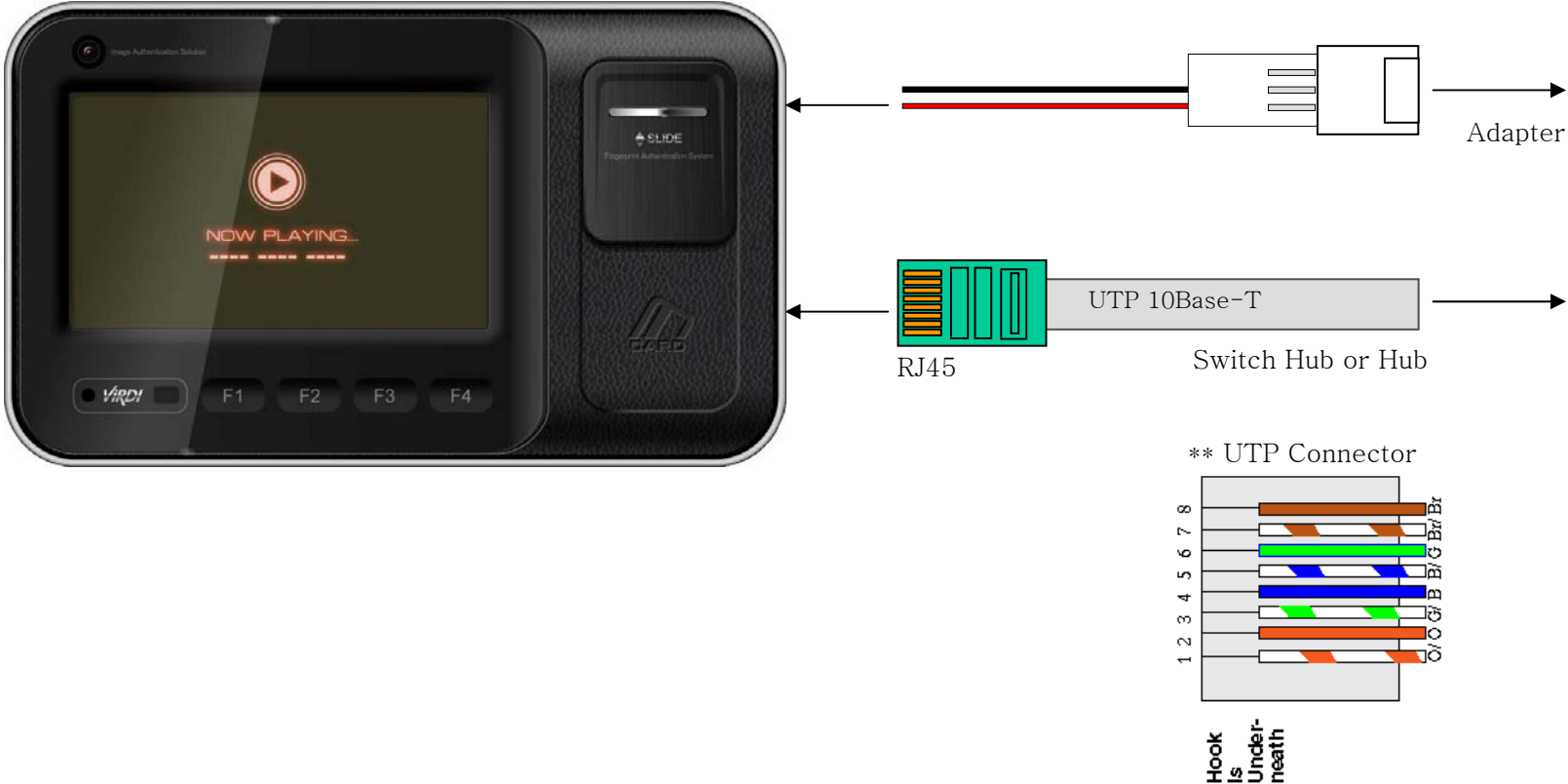
Union Community Co., Ltd.

1. Power Connector connection

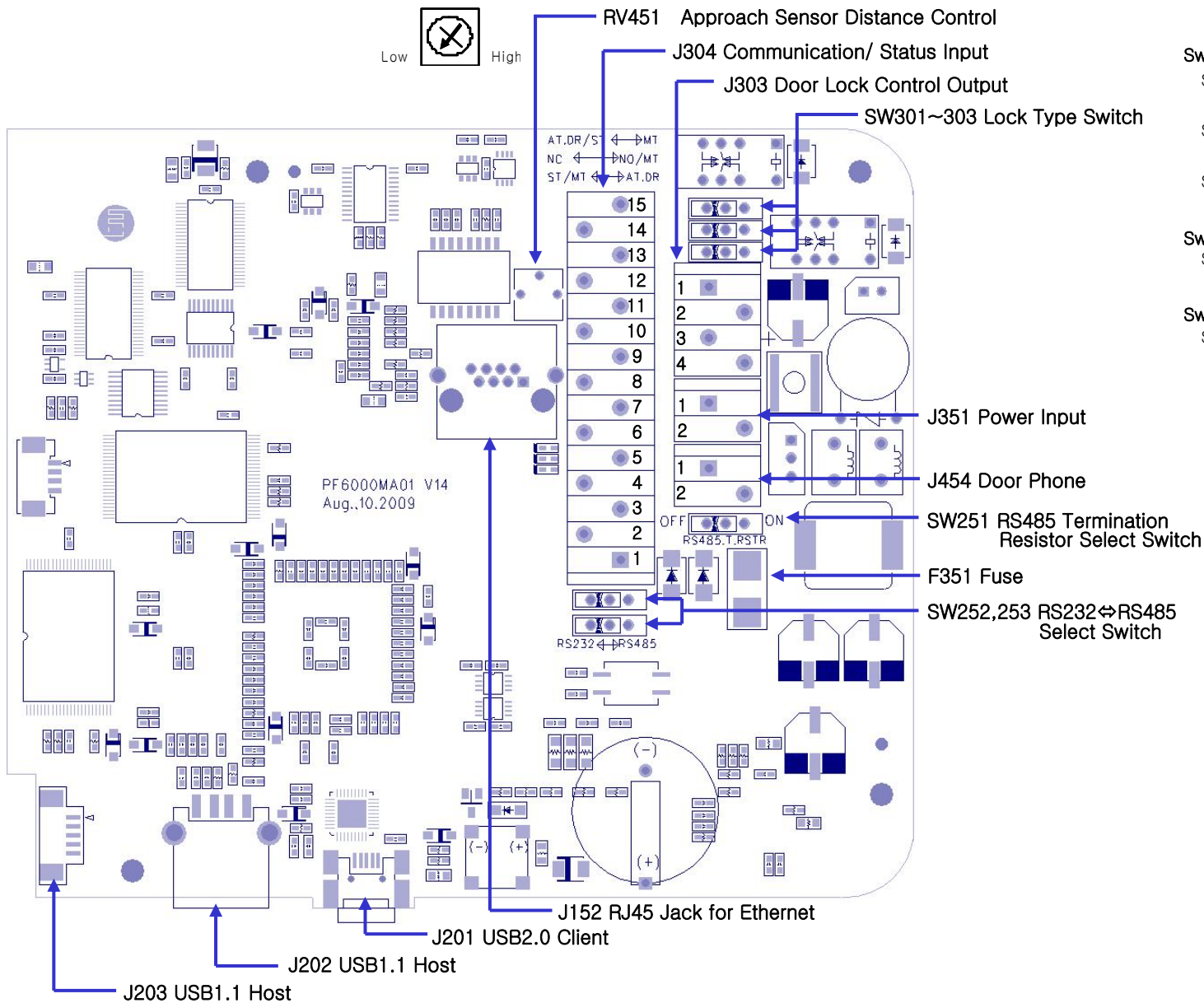


** Insert the Power Cable to VIN/PG Terminal Block in right color matching as the picture

2. Connecting Ethernet & Power Cable



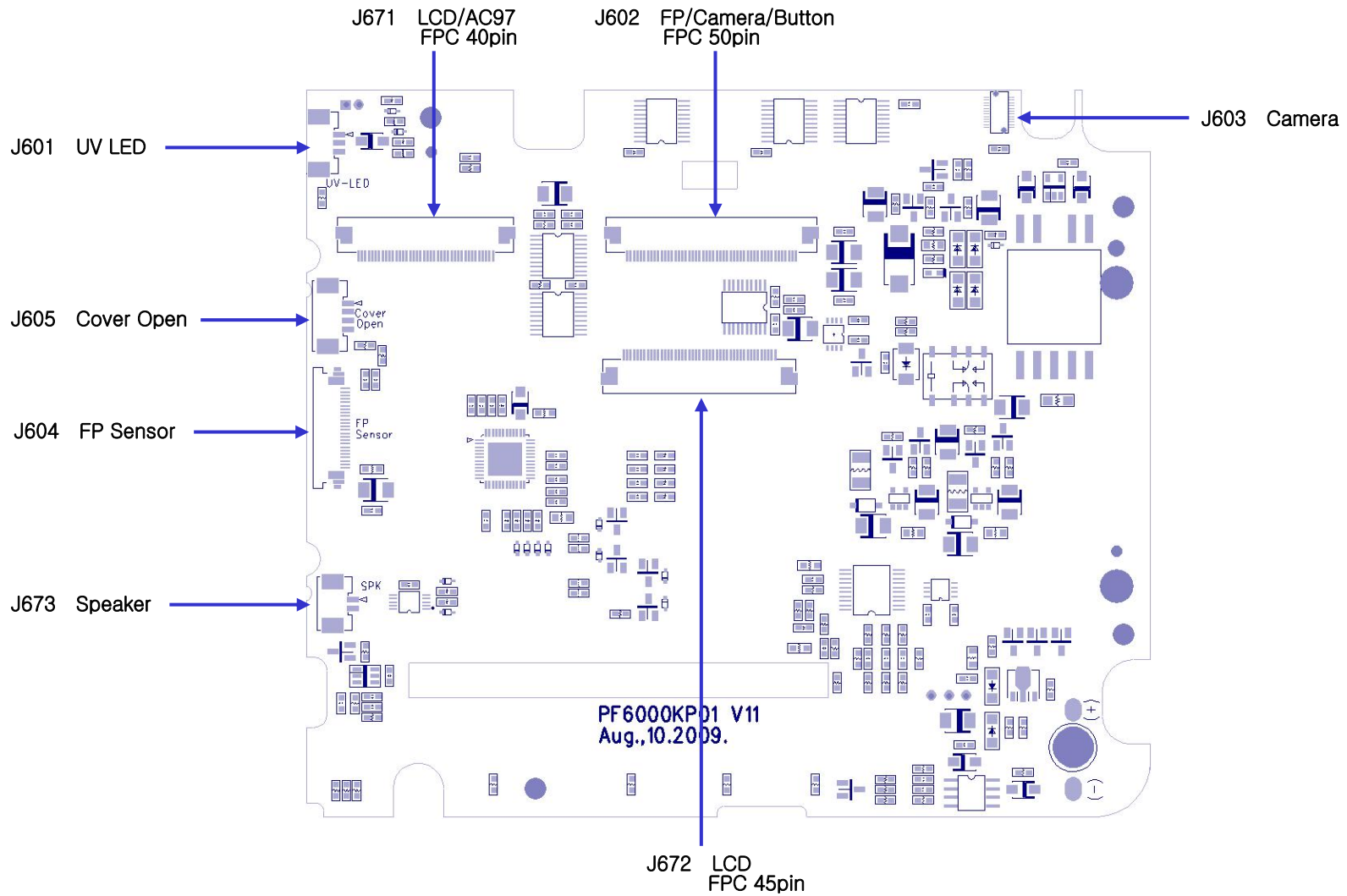
3. Main Board Feature



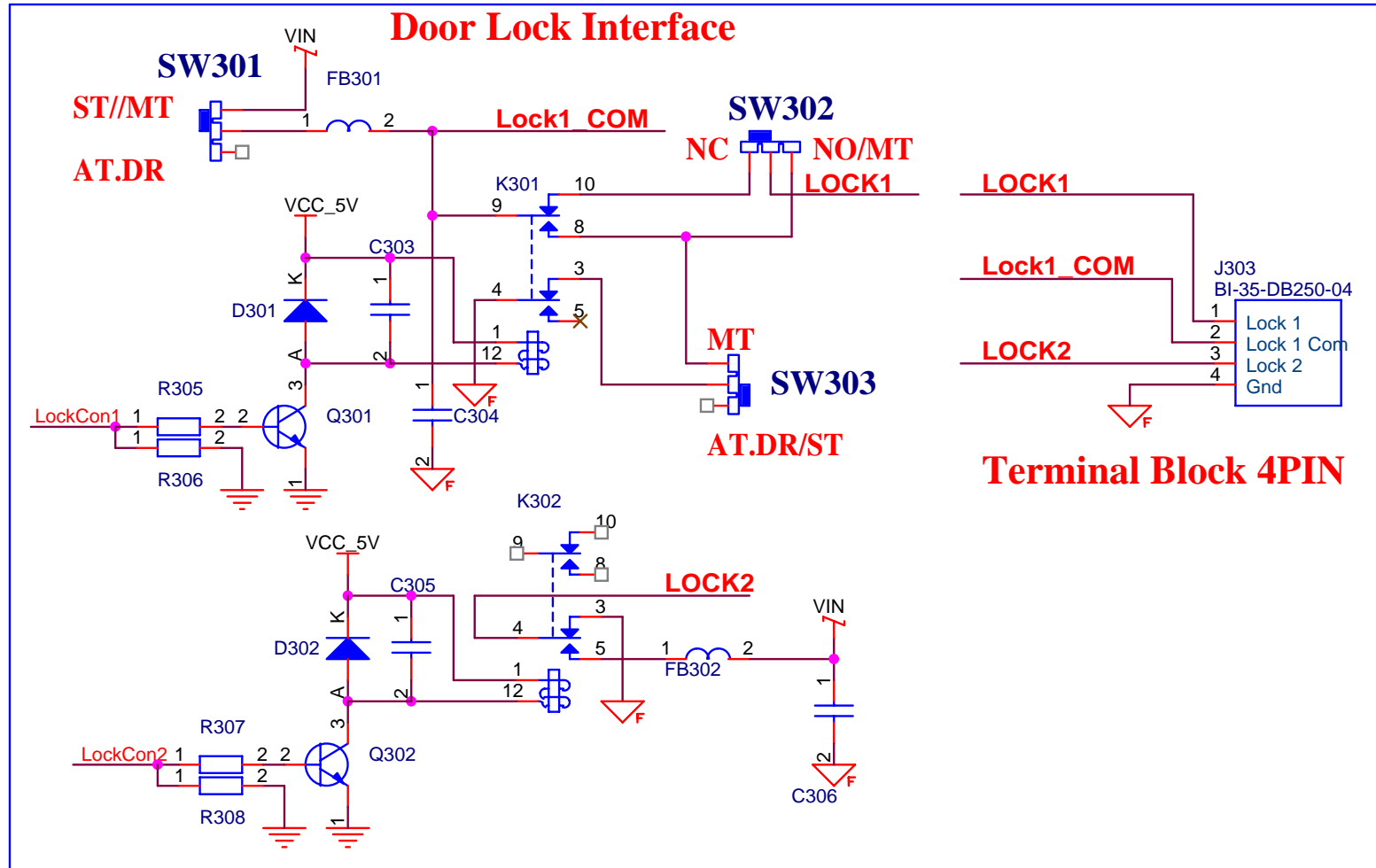
- Switch Setting I [Lock Type Selection]**
 SW301 : ST/M [Strike/Motor/Dead-bolt Lock]
 A/D [Auto Door Selection]
 SW302 : NO/MT [Normal Open Relay Contact]
 NC [Normal Close Relay Contact]
 SW303 : ST/AT.DR [Strike, Auto Door, Dead bolt]
 MT [Motor Lock Selection]
- Switch Setting II [RS485 T_Resistor Selection]**
 SW251 : ON [120ohm termination resistor]
 OFF [Open the termination resistor]
- Switch Setting III [RS232↔RS485 Selection]**
 SW252,253 : RS232 [J304 Pin 6&7 Enabled]
 RS485 [J306 Pin 8&9 Enabled]

- J303 Door Lock Control Output**
 1 [L1] : Lock Output 1
 2 [LC] : Lock COM for Output 1
 3 [L2] : Lock Output 2
 4 [G] : Ground for Lock Control
- J304 communication/ Status Input**
 1 [IO] : Inside Open
 2 [M0] : Door Monitor 0
 3 [M1] : Door Monitor 1
 4 [M2] : Door Monitor 2
 5 [G] : Ground [Door Status]
 6 [R2T] : RS232 TXD Output
 7 [R2R] : RS232 RXD Input
 8 [R4A] : RS485 A
 9 [R4B] : RS485 B
 10 [G] : Ground [Serial com Port]
 11 [W0] : Wiegand Input 0
 12 [W1] : Wiegand Input 1
 13 [W00] : Wiegand Output 0
 14 [W01] : Wiegand Output 1
 15 [G] : Ground [Wiegand interface]
- J351 Power Input**
 1 [VIN] : DC Power Input
 2 [PG] : Ground for DC Power
- J454 Door Phone Interface**
 1 [DPV] : Door Phone Voltage IN
 2 [DPS] : Door Phone Signal

4. Keypad Board Feature



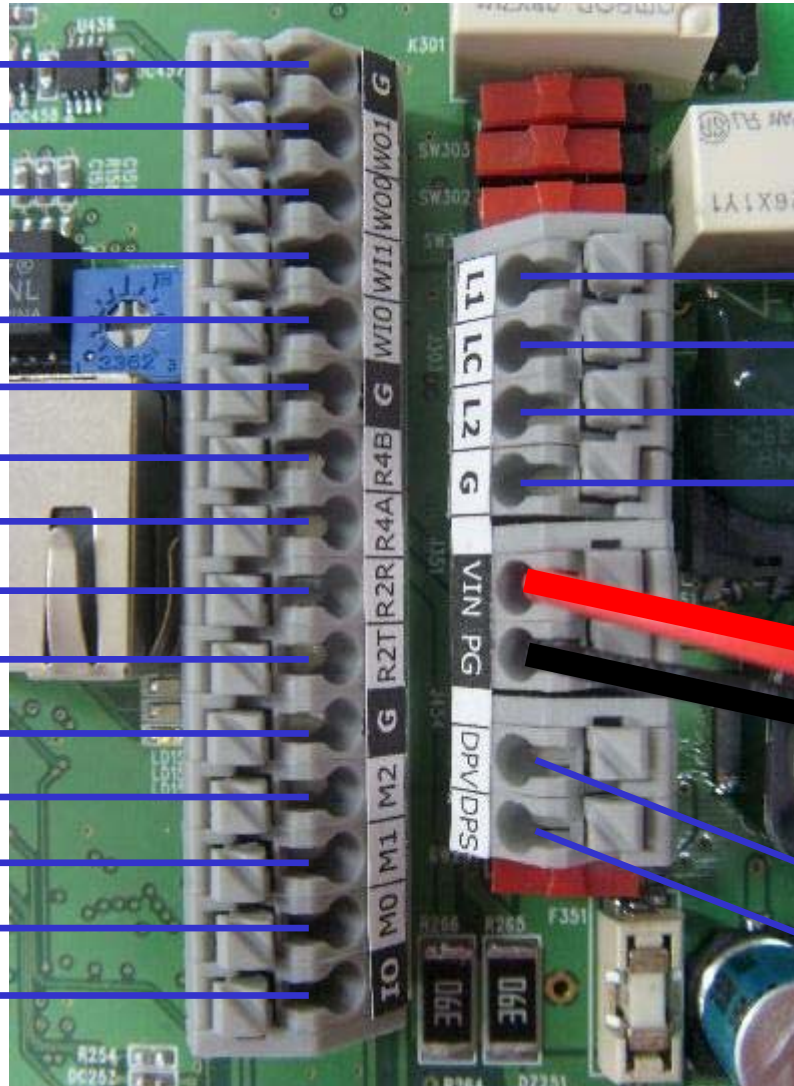
5. Schematic for Door Lock Interface



6. Connection of Wires to terminal blocks

J304 communication/ Status Input

- 15 [G] : Ground [Wiegand]
- 14 [WO1] : Wiegand Output 1
- 13 [WO0] : Wiegand Output 0
- 12 [WI1] : Wiegand Input 1
- 11 [WI0] : Wiegand Input 0
- 10 [G] : Ground [Serial Port]
- 9 [R4B] : RS485 B
- 8 [R4A] : RS485 A
- 7 [R2R] : RS232 RXD Input
- 6 [R2T] : RS232 TXD Output
- 5 [G] : Ground [Input]
- 4 [M2] : Door Monitor 2
- 3 [M1] : Door Monitor 1
- 2 [M0] : Door Monitor 0
- 1 [IO] : Inside Open



J303 Door Lock Control Output

- 1 [L1] : Lock Output 1
- 2 [LC] : Lock COM for Output 1
- 3 [L2] : Lock Output 2
- 4 [G] : Ground for Lock Control

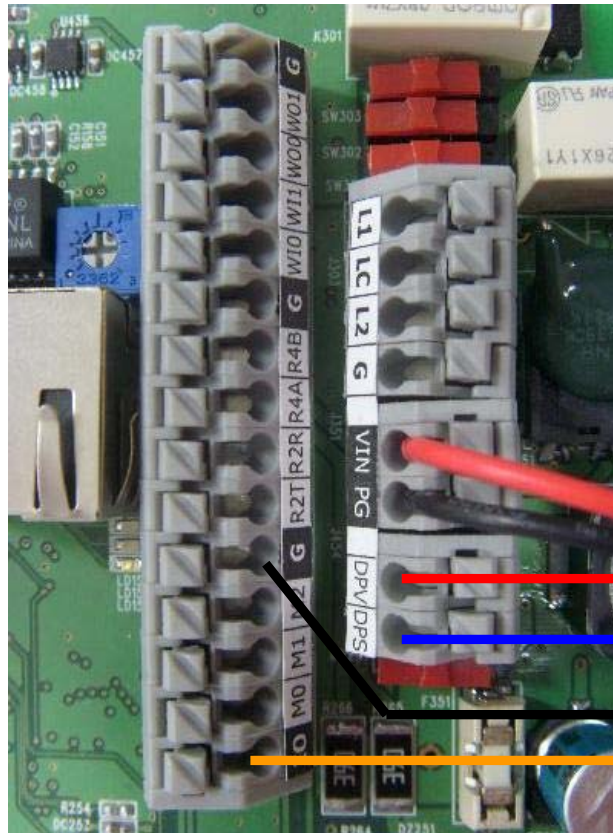
J351 Power Input

- 1 [VIN] : DC Power Input
- 2 [PG] : Ground for DC Power

J454 Door Phone Interface

- 1 [DPV] : Door Phone Voltage IN
- 2 [DPS] : Door Phone Signal

7. Connection of Door Phone



- pin1 VIN (RE)
- pin2 Signal (Blue)
- pin5 Ground (BK)
- pin1 Inside Open (OR)

** Inside Open Switch Connection

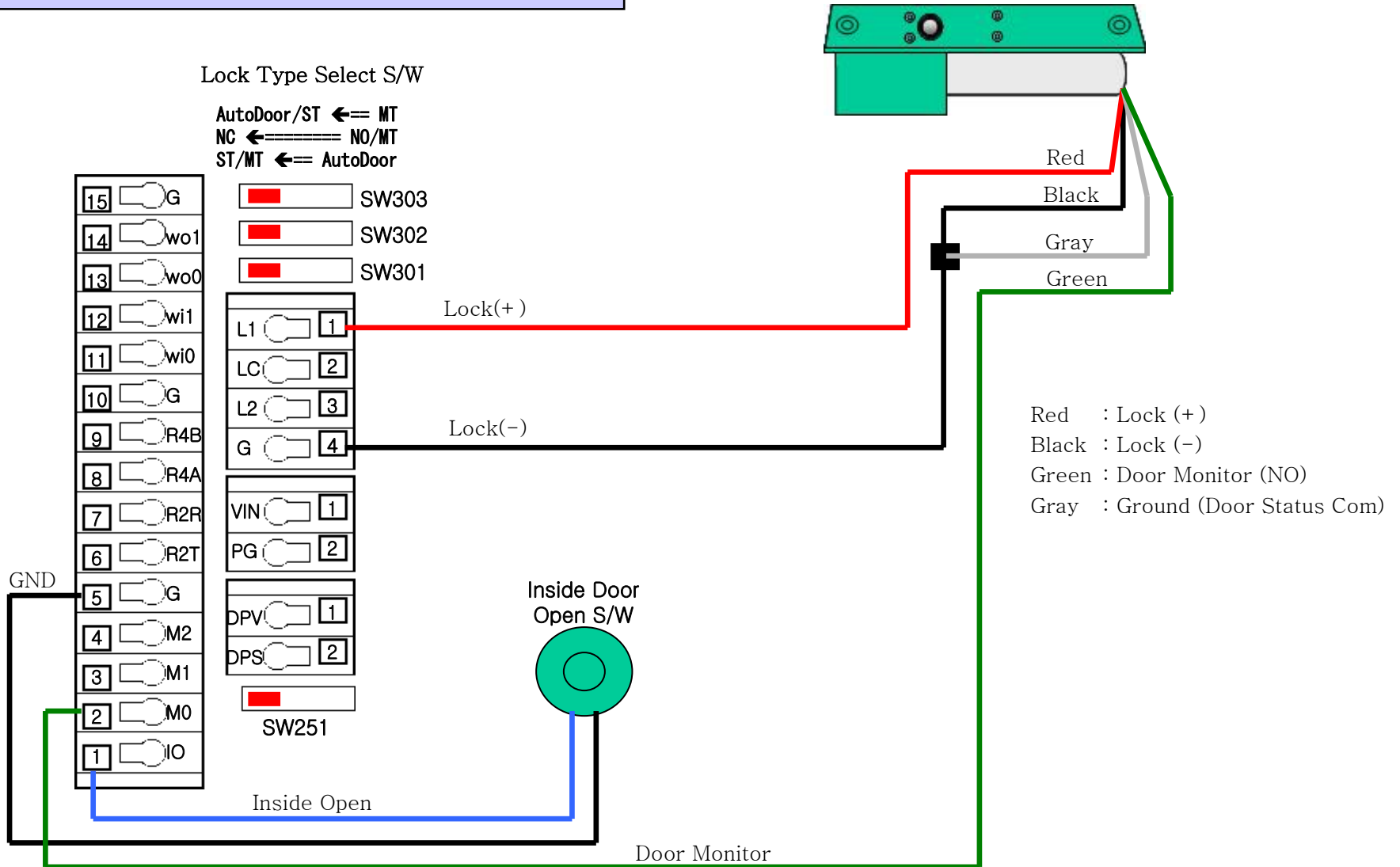
Door Phone



- ※ The Installation distance is Max 30M(100feet) between AC-6000 and Door Phone. If you want to call the door phone, please use the “Call” button.
- ※ The Color is not important...

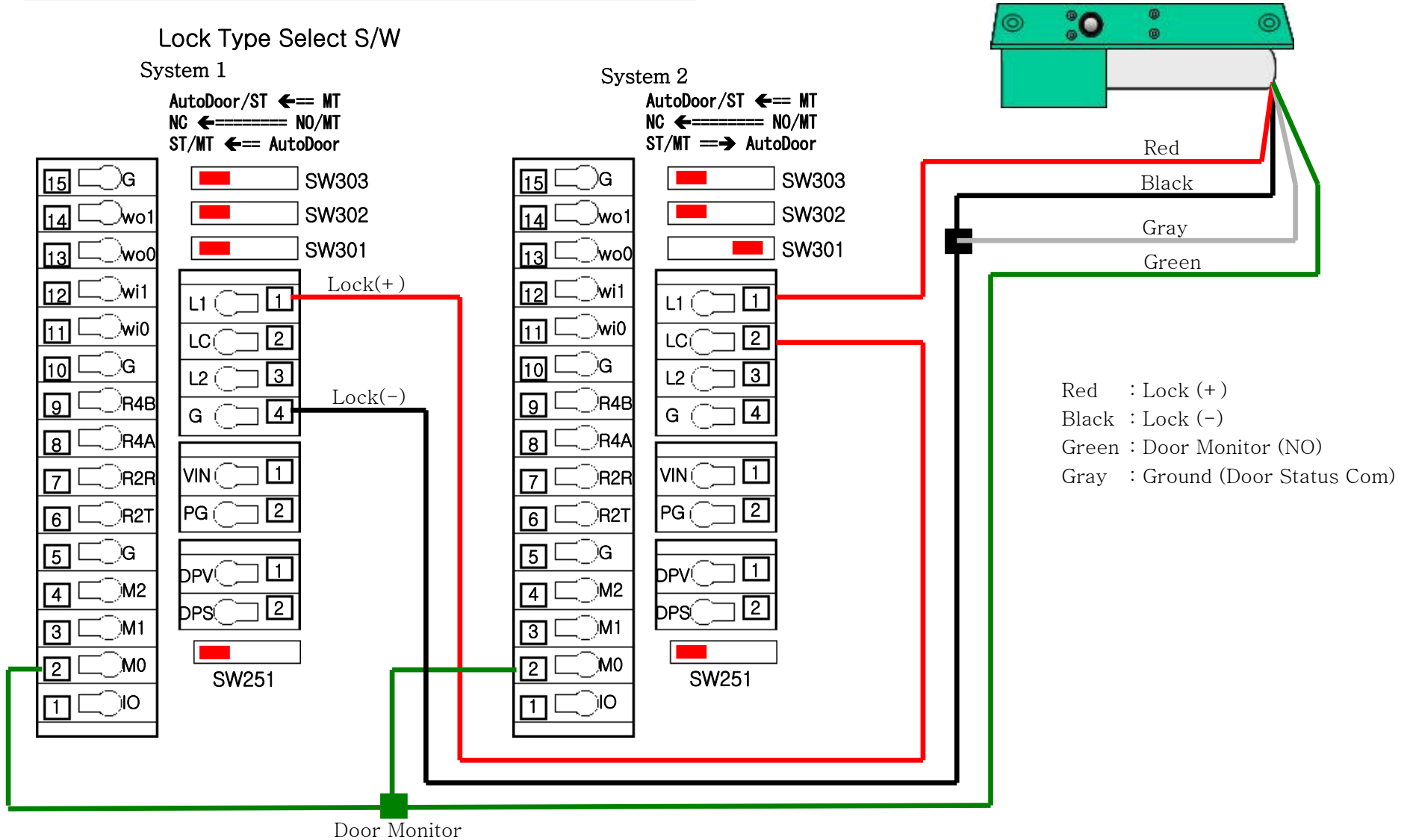
8. Connecting Dead-Bolt Type Door Lock (Fail Safe)

8.1. Connect with One System/ One Lock



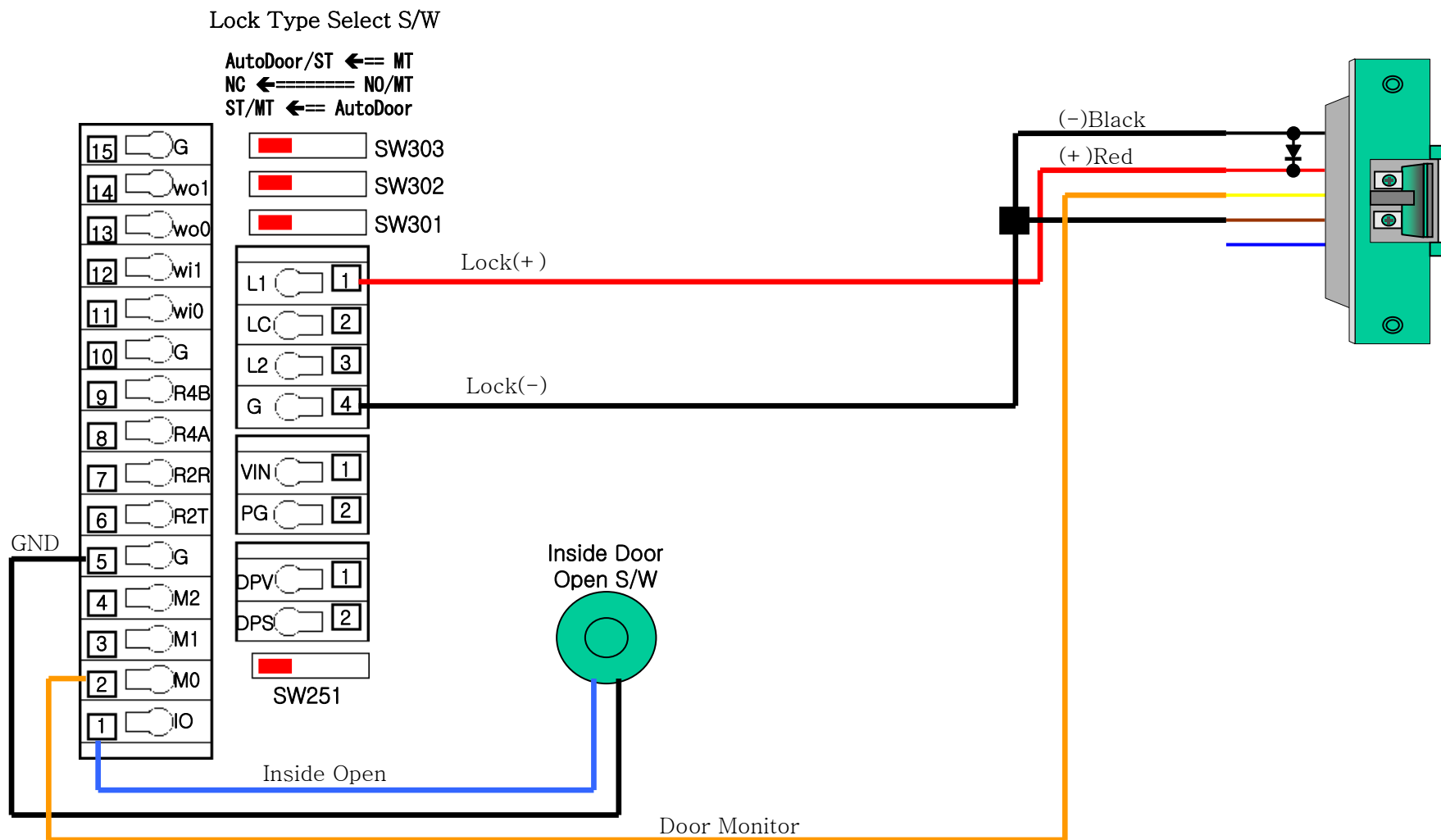
8. Connecting Dead-Bolt Type Door Lock (Fail Safe)

8.2. Connect with Two Systems/ One Lock



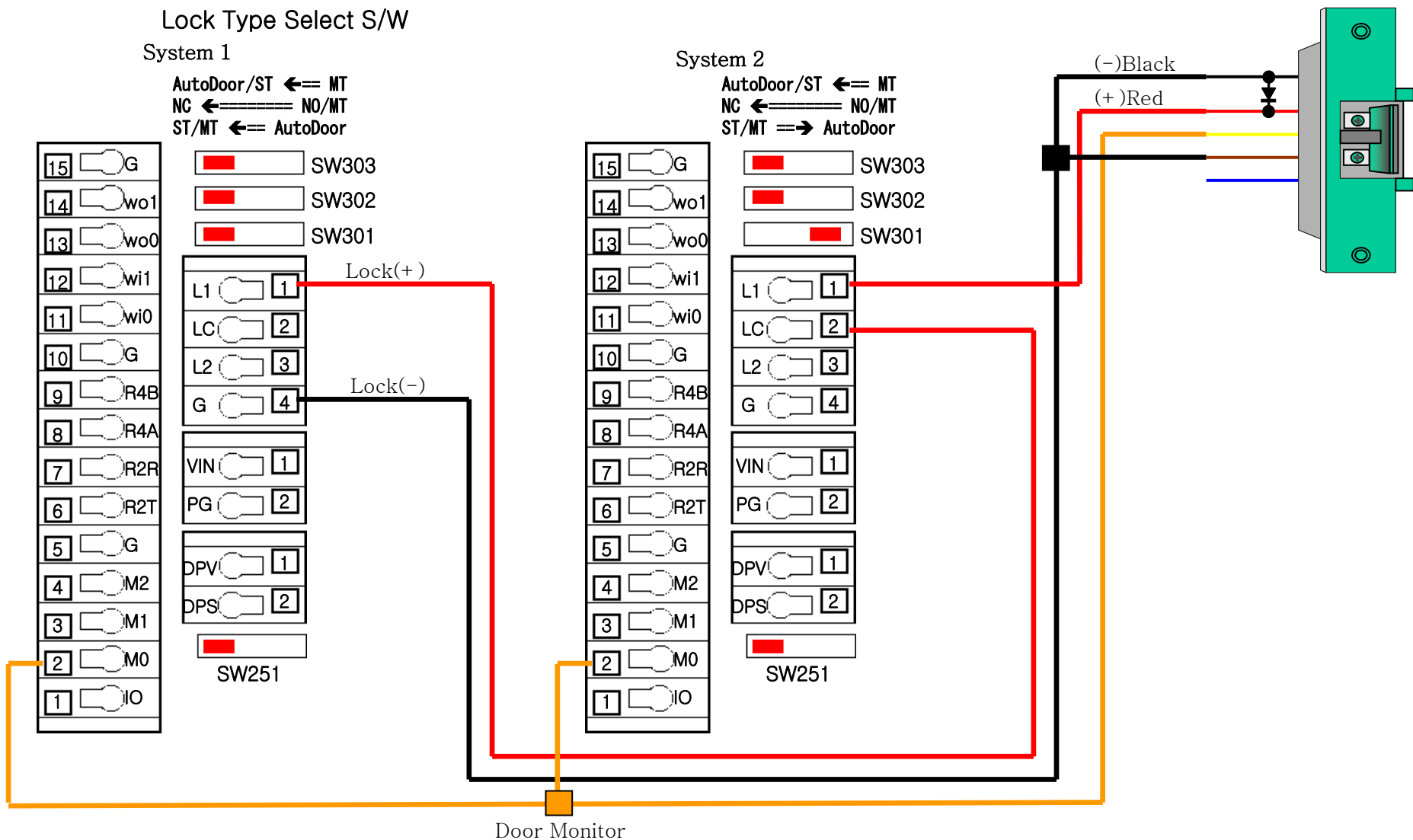
9. Connecting Strike Type Door Lock (Fail Safe)

9.1. Connect with One system/ One Lock



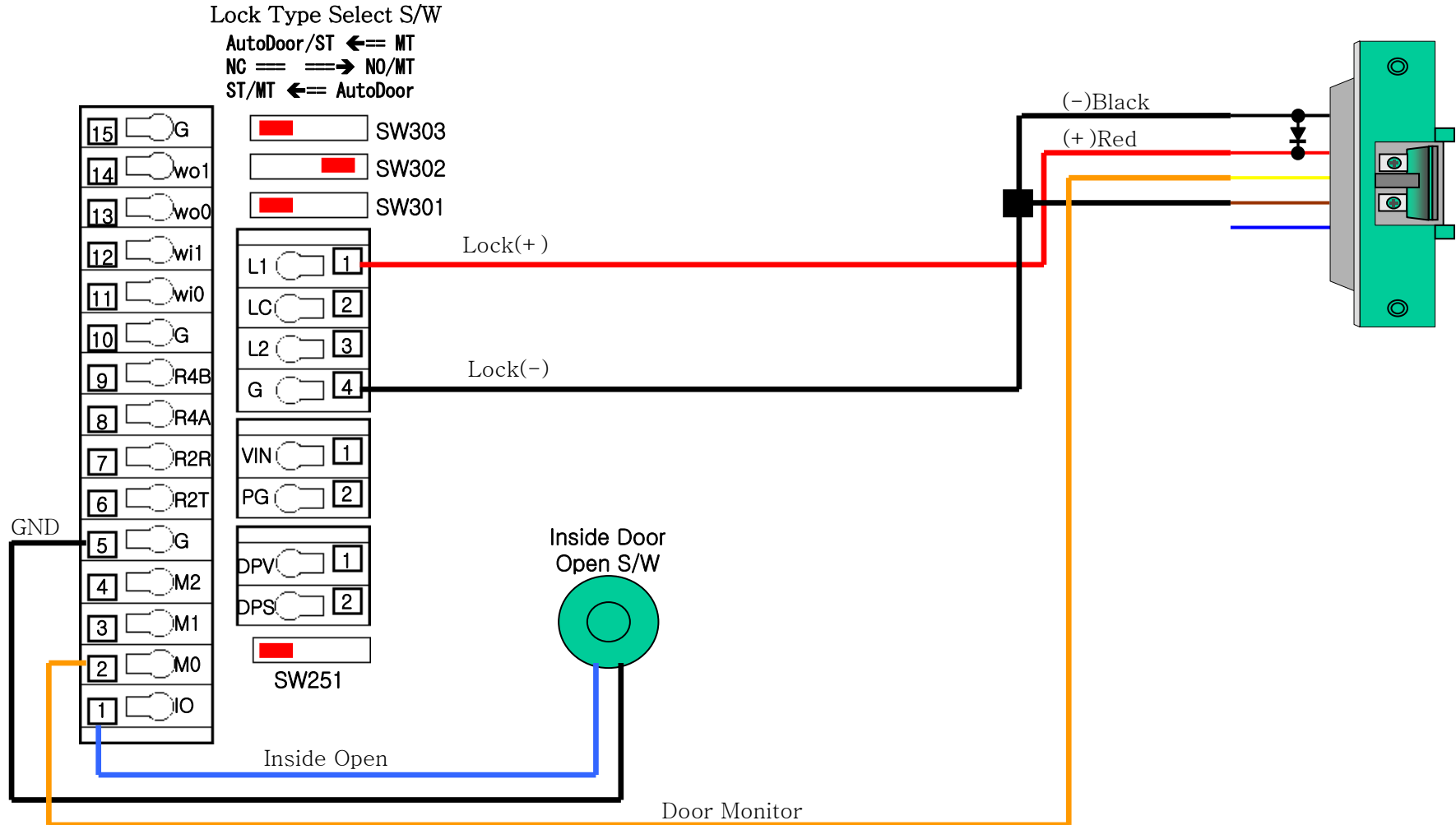
9. Connecting Strike Type Door Lock (Fail Safe)

9.2. Connect with Two systems/ One Lock



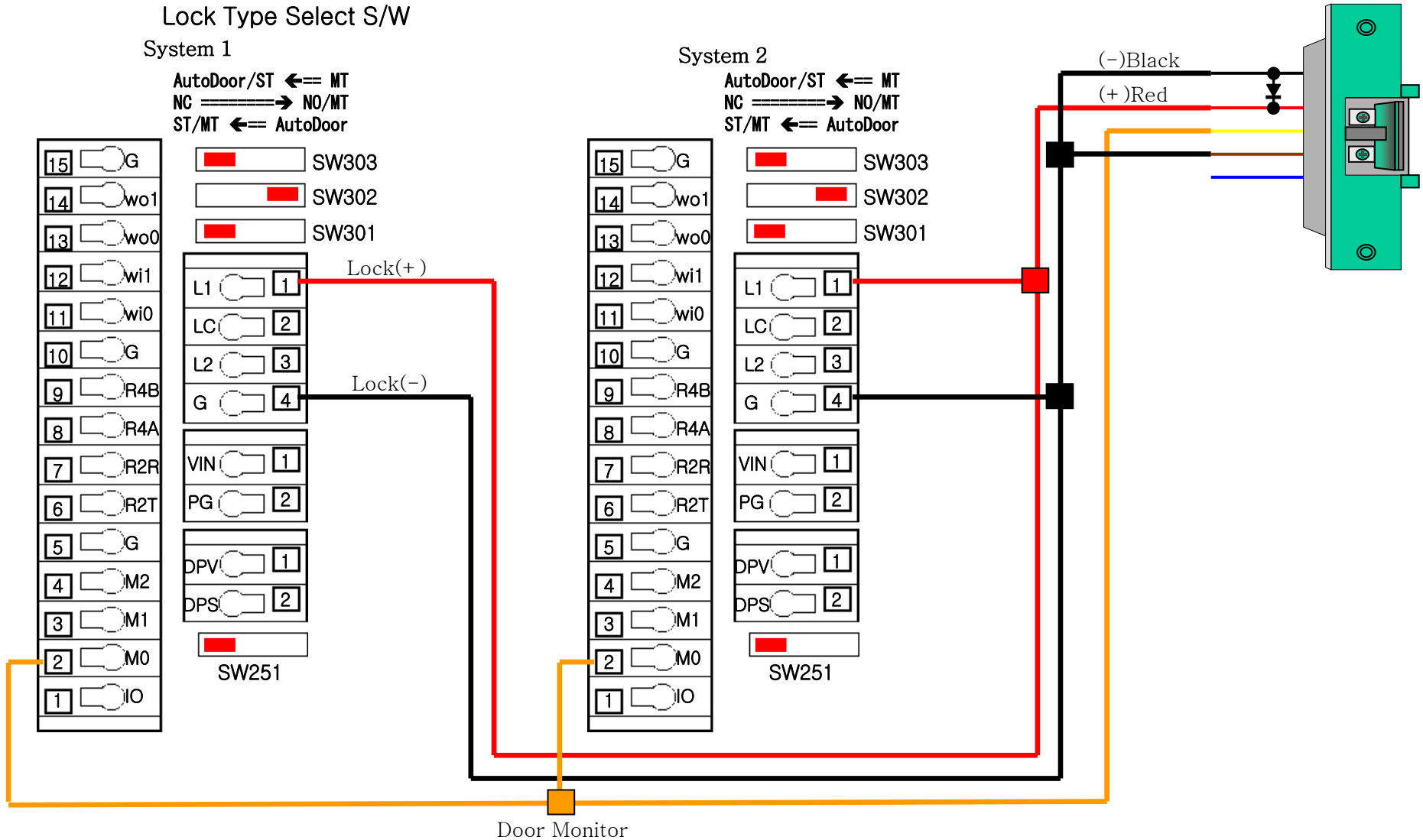
10. Connecting Strike Type Door Lock (Fail Secure)

10.1. Connect with One system/ One Lock



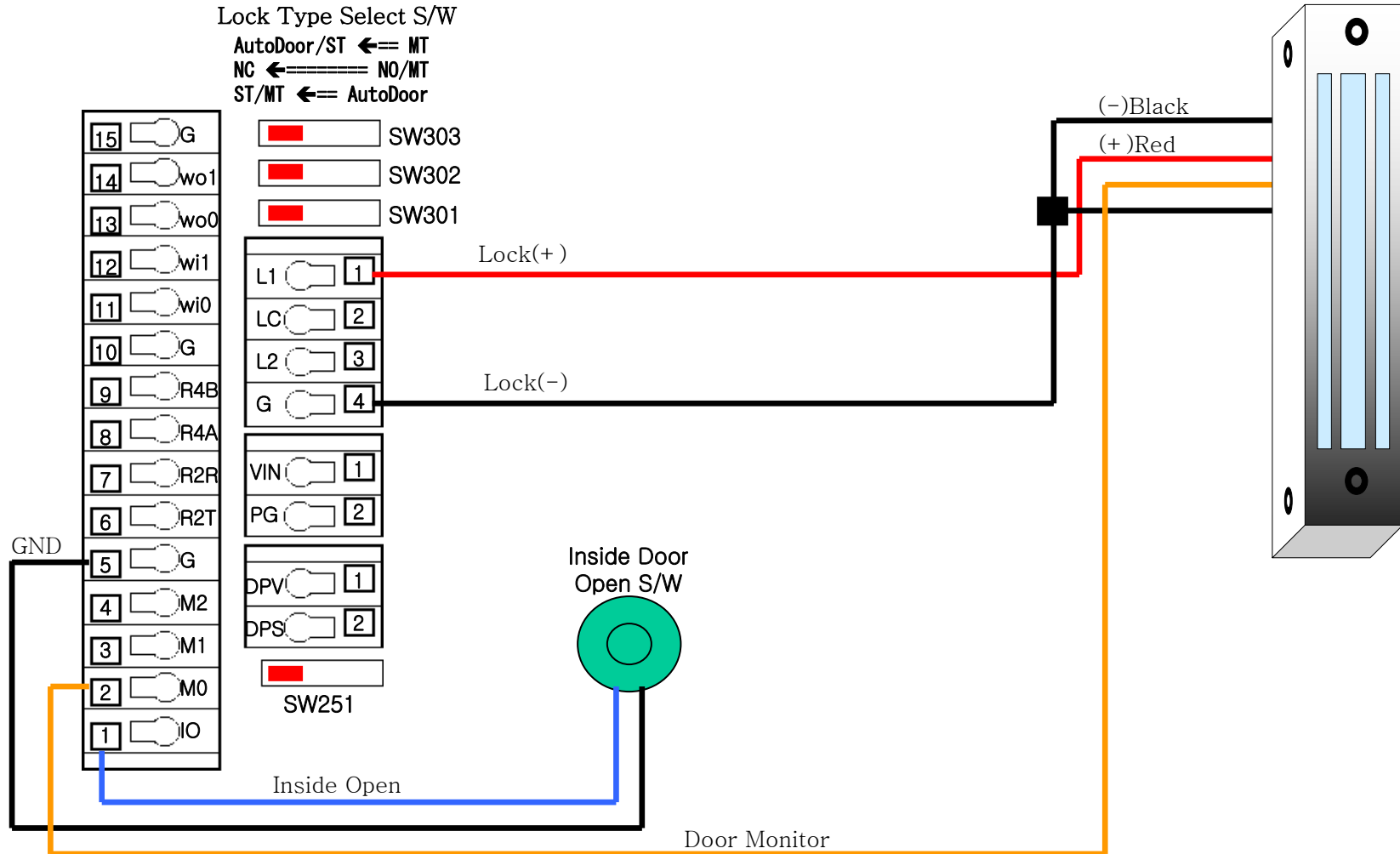
10. Connecting Strike Type Door Lock (Fail Secure)

10.2. Connect with Two systems/ One Lock



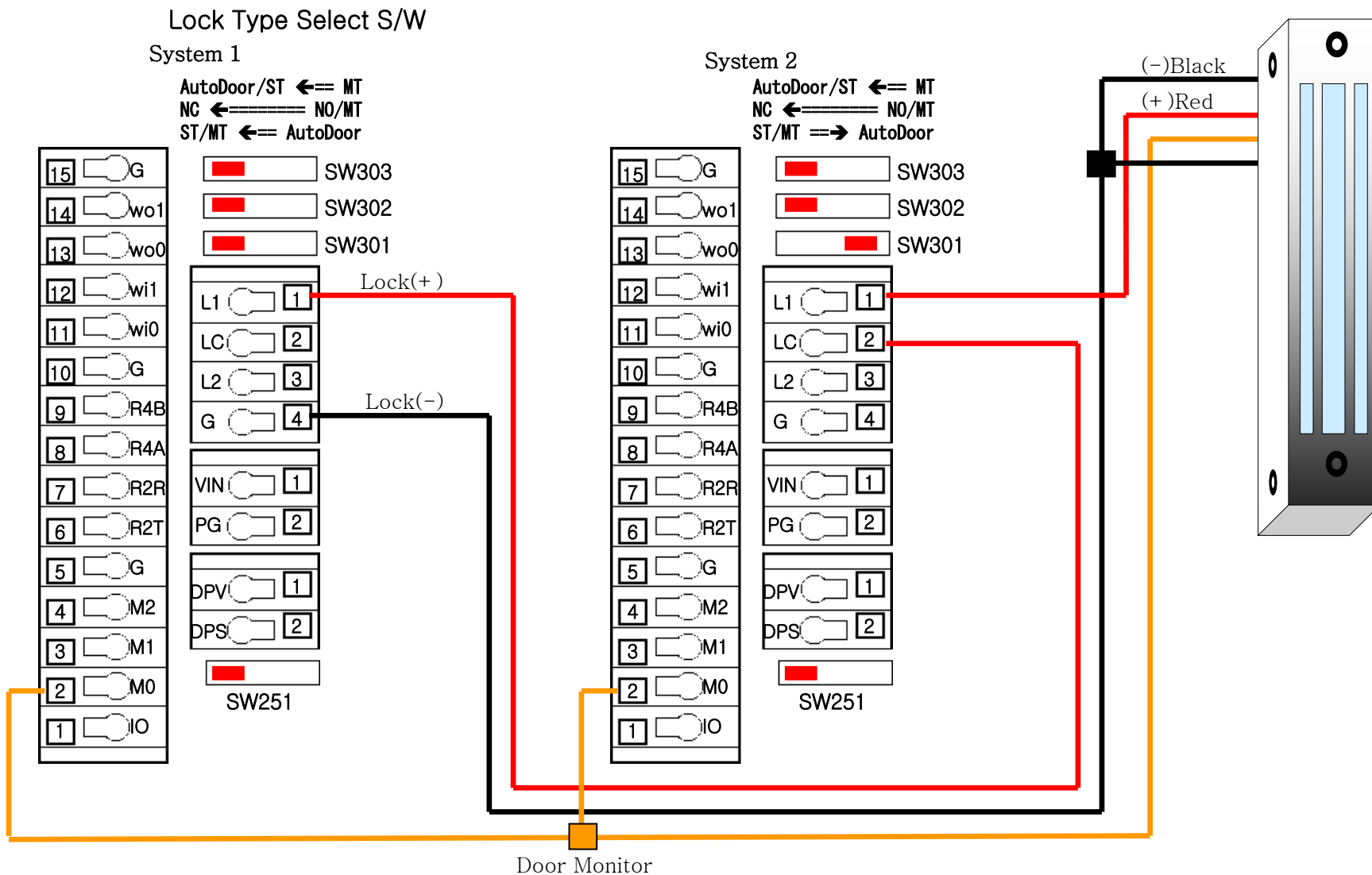
11. Connecting EM Type Door Lock (Fail Safe)

11.1. Connect with One system/ One Lock



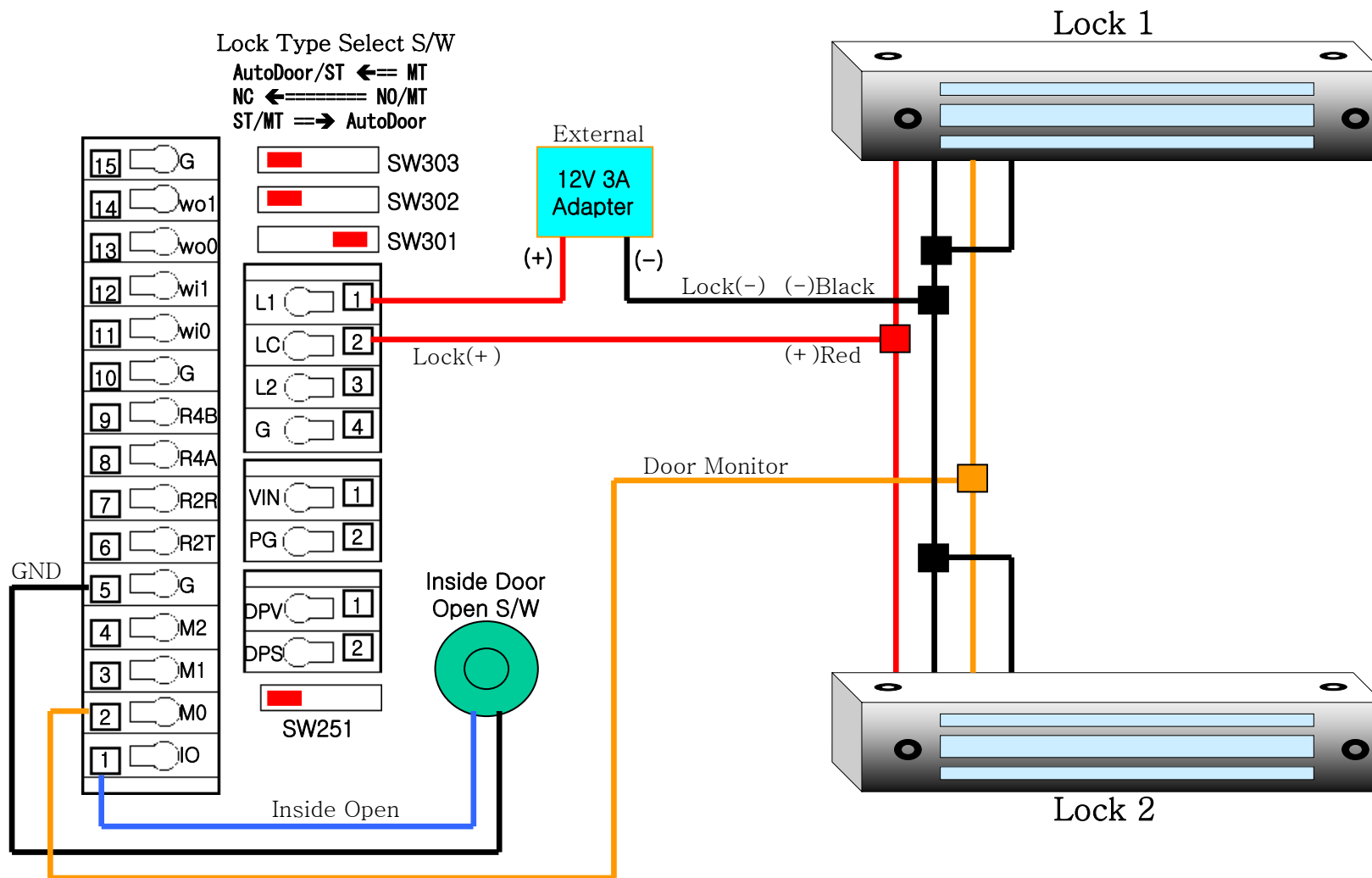
11. Connecting EM Type Door Lock (Fail Safe)

11.2. Connect with Two System/ One Lock



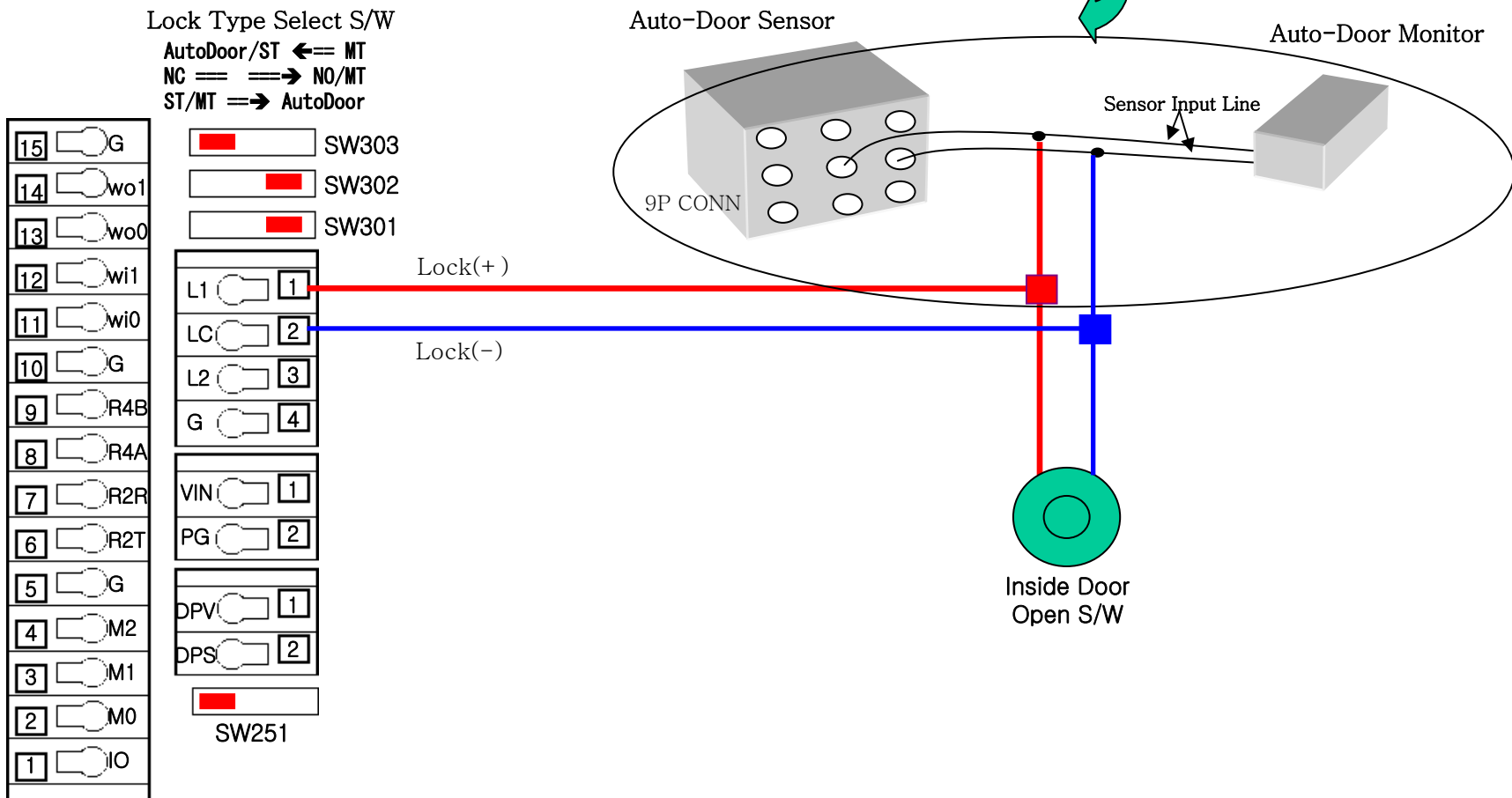
11. Connecting EM Type Door Lock (Fail Safe)

11.3. Connect with One system/ Two Locks ** Use external DC Power adapter



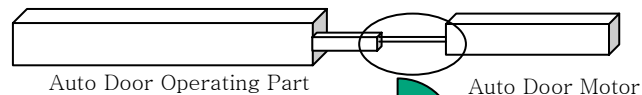
12. Connecting Auto-Door (Contact Control)

12.1. Connect with One system/ One Door



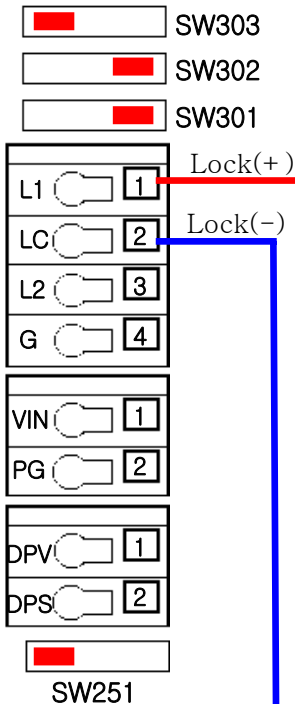
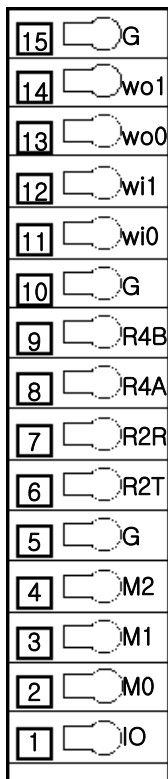
12. Connecting Auto-Door (Contact Control)

12.2. Connect with Two systems/ One Door



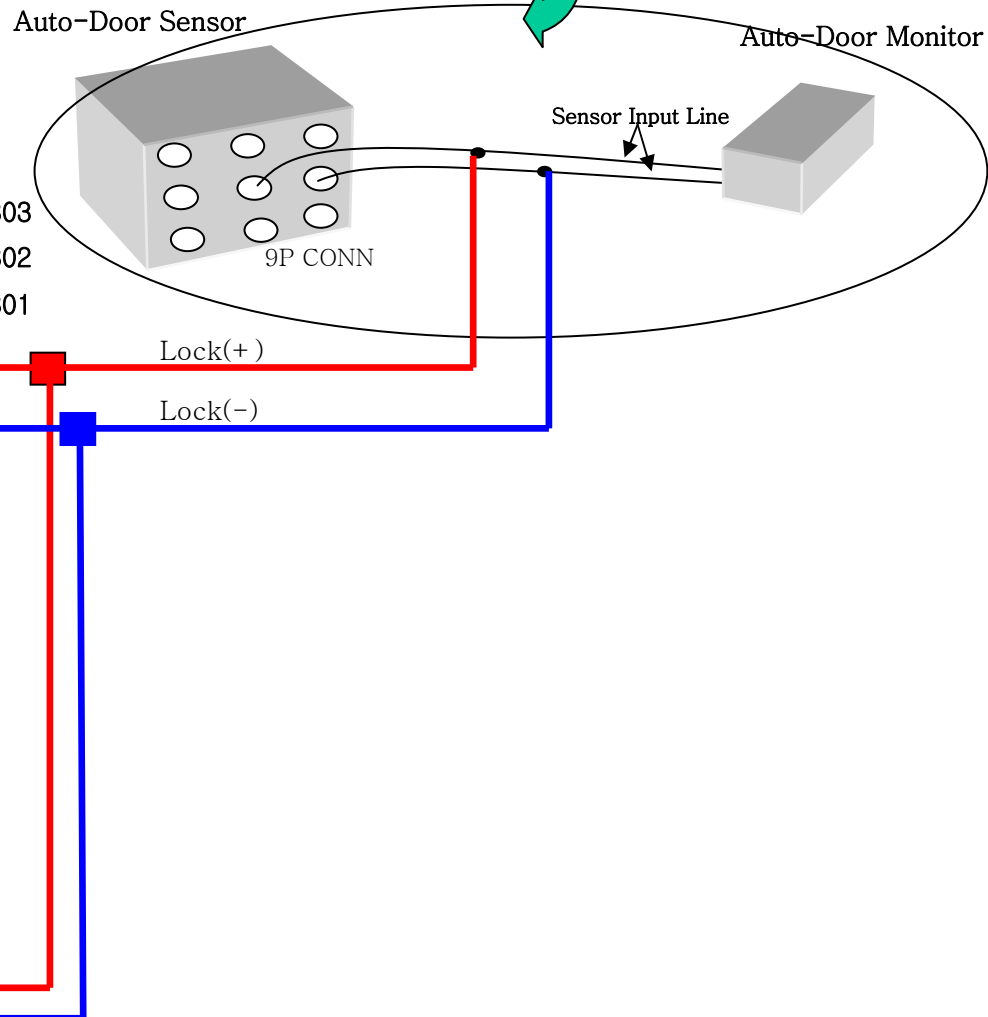
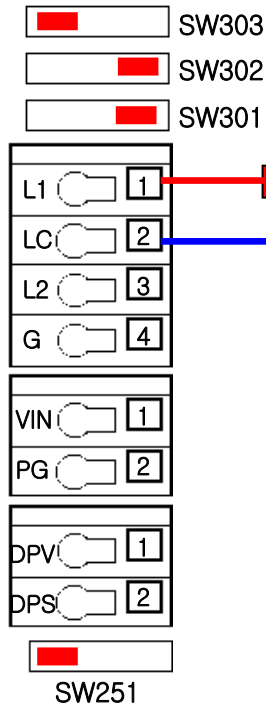
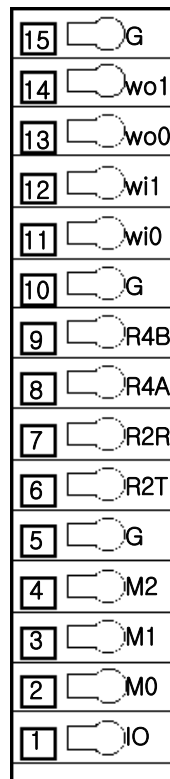
Lock Type Select S/W
System 1

AutoDoor/ST ← MT
NC → NO/MT
ST/MT ⇒ AutoDoor



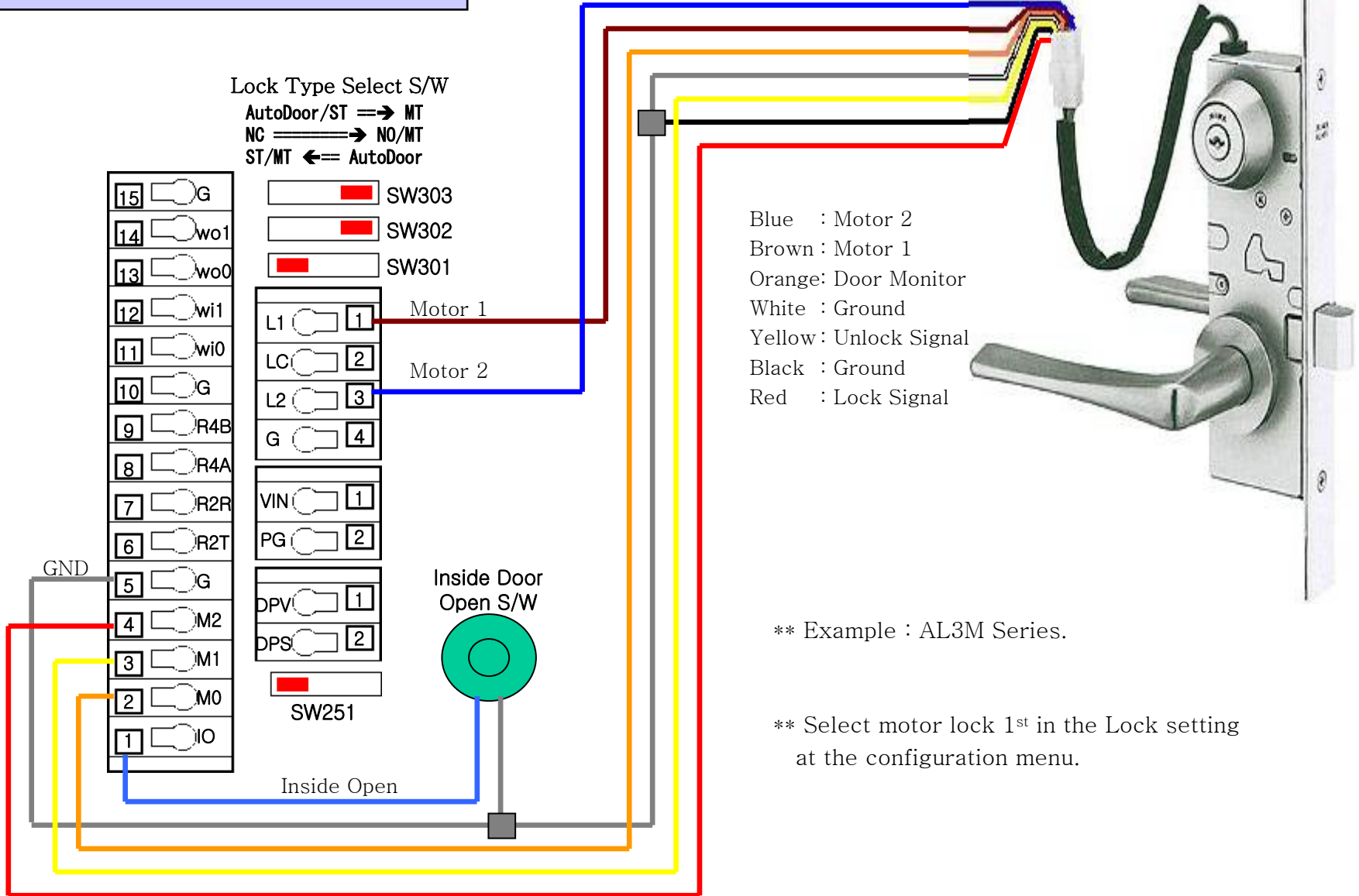
System 2

AutoDoor/ST ← MT
NC → NO/MT
ST/MT ⇒ AutoDoor



13. Connecting Mortise Lock

13.1. Connect with Motor Lock

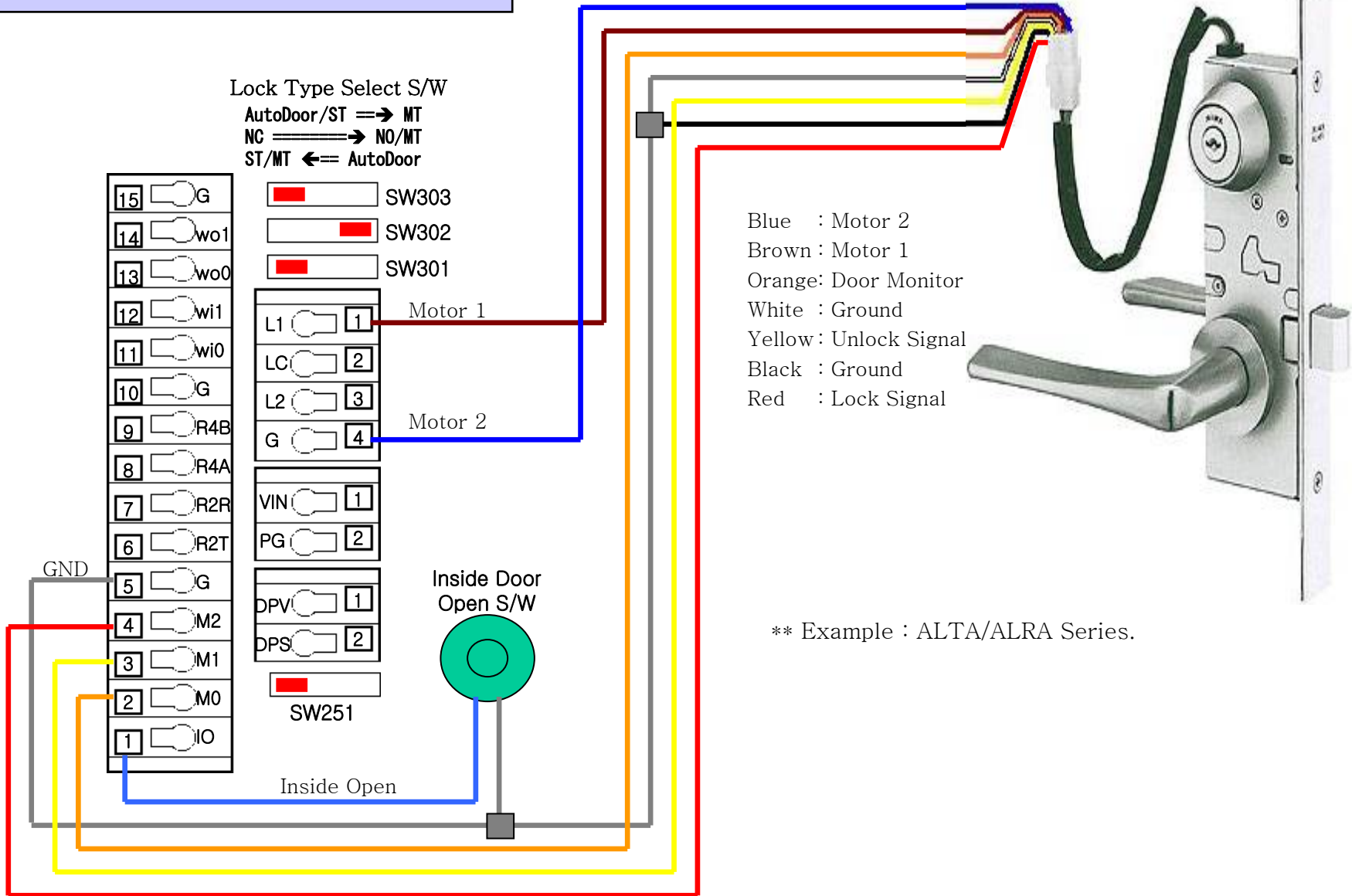


** Example : AL3M Series.

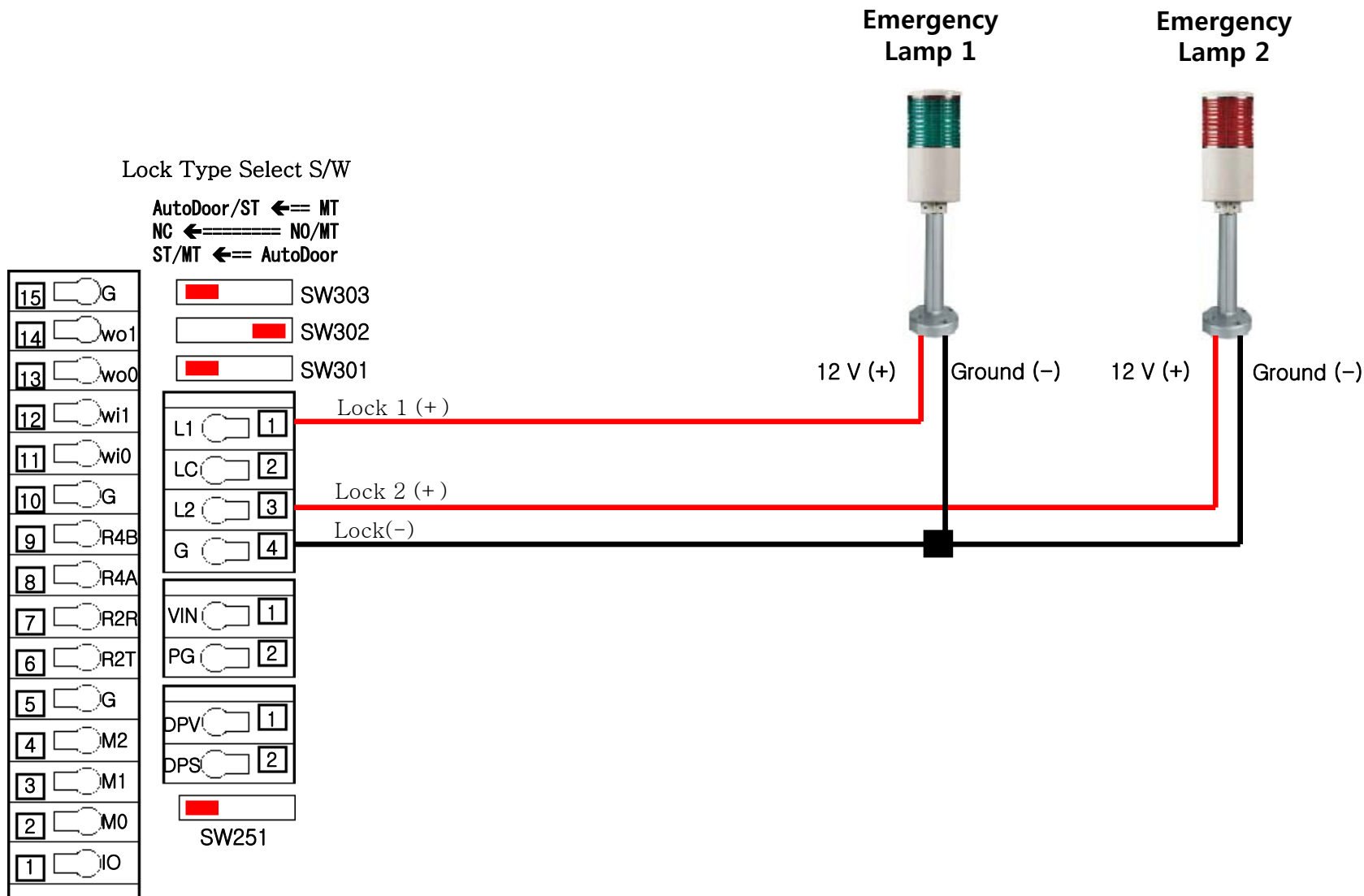
** Select motor lock 1st in the Lock setting at the configuration menu.

13. Connecting Mortise Lock

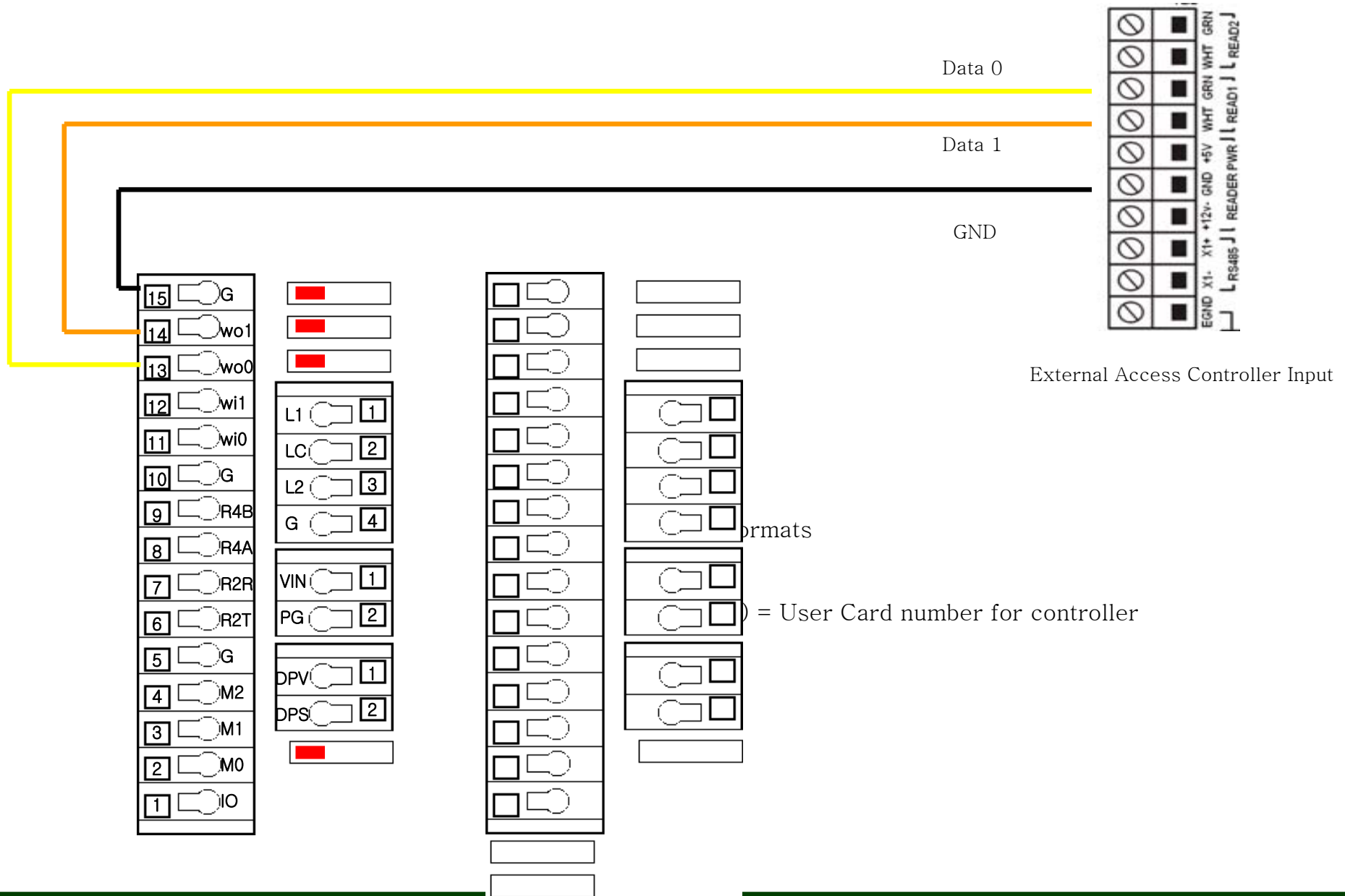
13.2. Connect with Solenoid Lock



14. Connecting 2 Emergency Lamps



15. Connecting Wiegand Output to External Controller

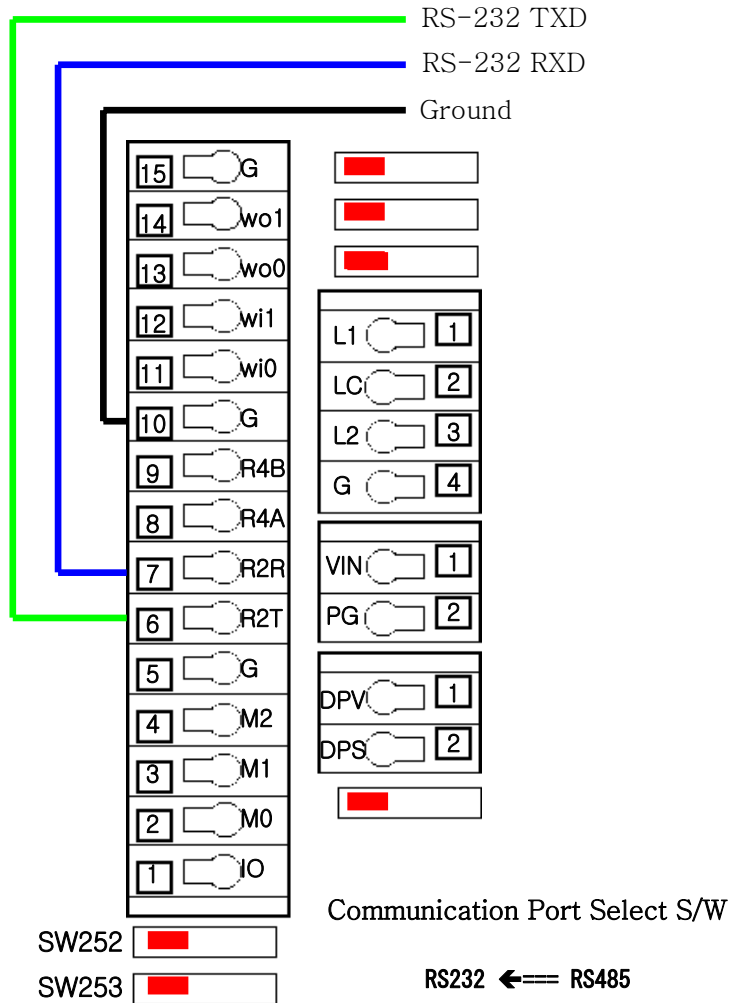


External Access Controller Input

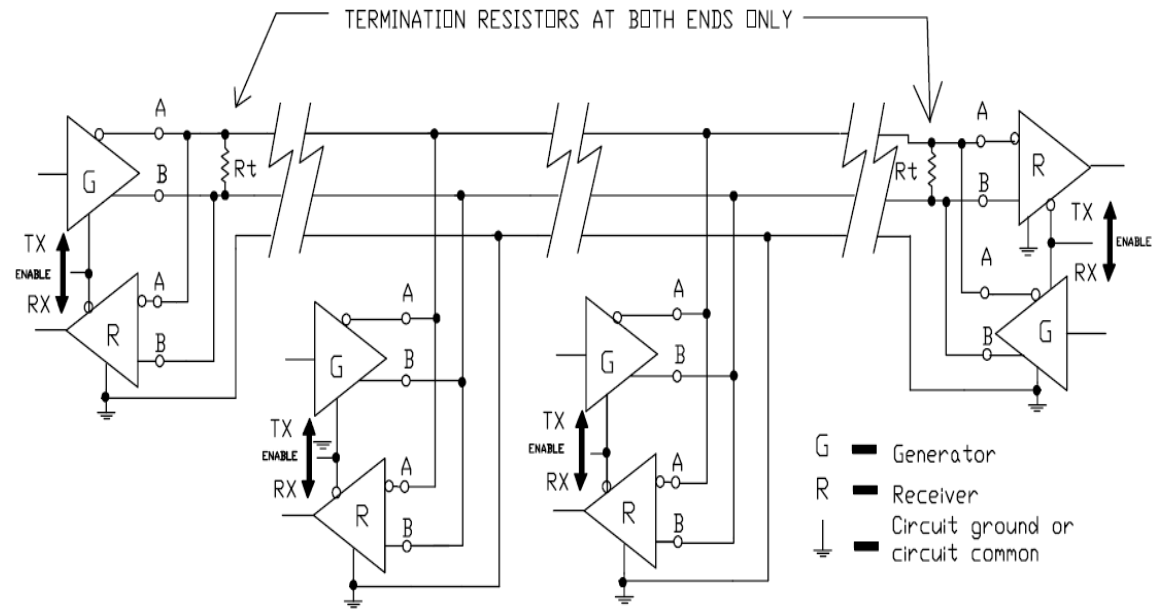
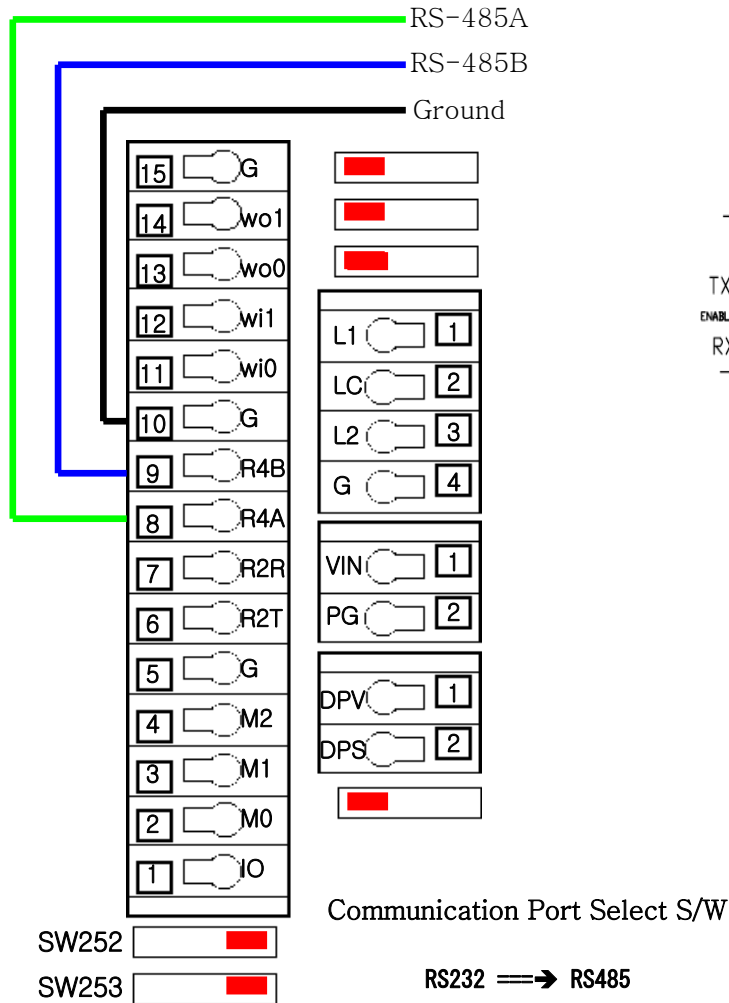
formats

) = User Card number for controller

16.1 RS-232 Interface



16.2 RS-485 Interface



RS-485 TWO WIRE MULTIDROP NETWORK