

SR-100FP RS-485 Cable Interface Guide



AUG 10, 2011
R&D Center
UNIONCOMMUNITY Co., Ltd.

1. AC-2100 & SR-100FP Connection

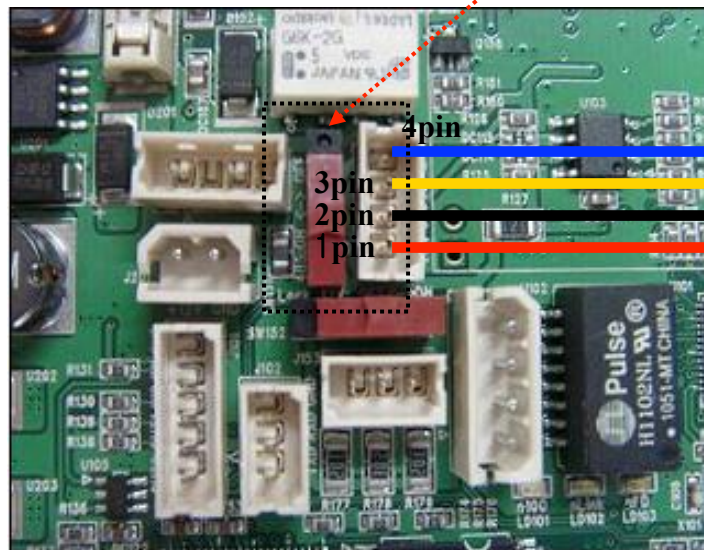


AC-2100 V3.0

Switch ON position



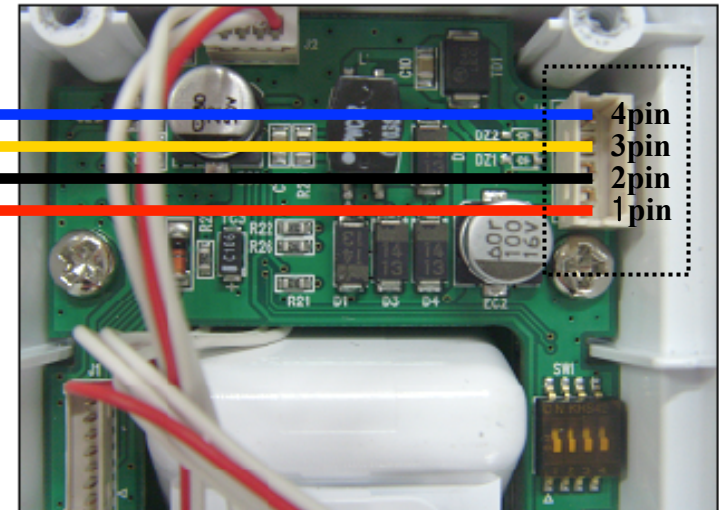
SR-100FP



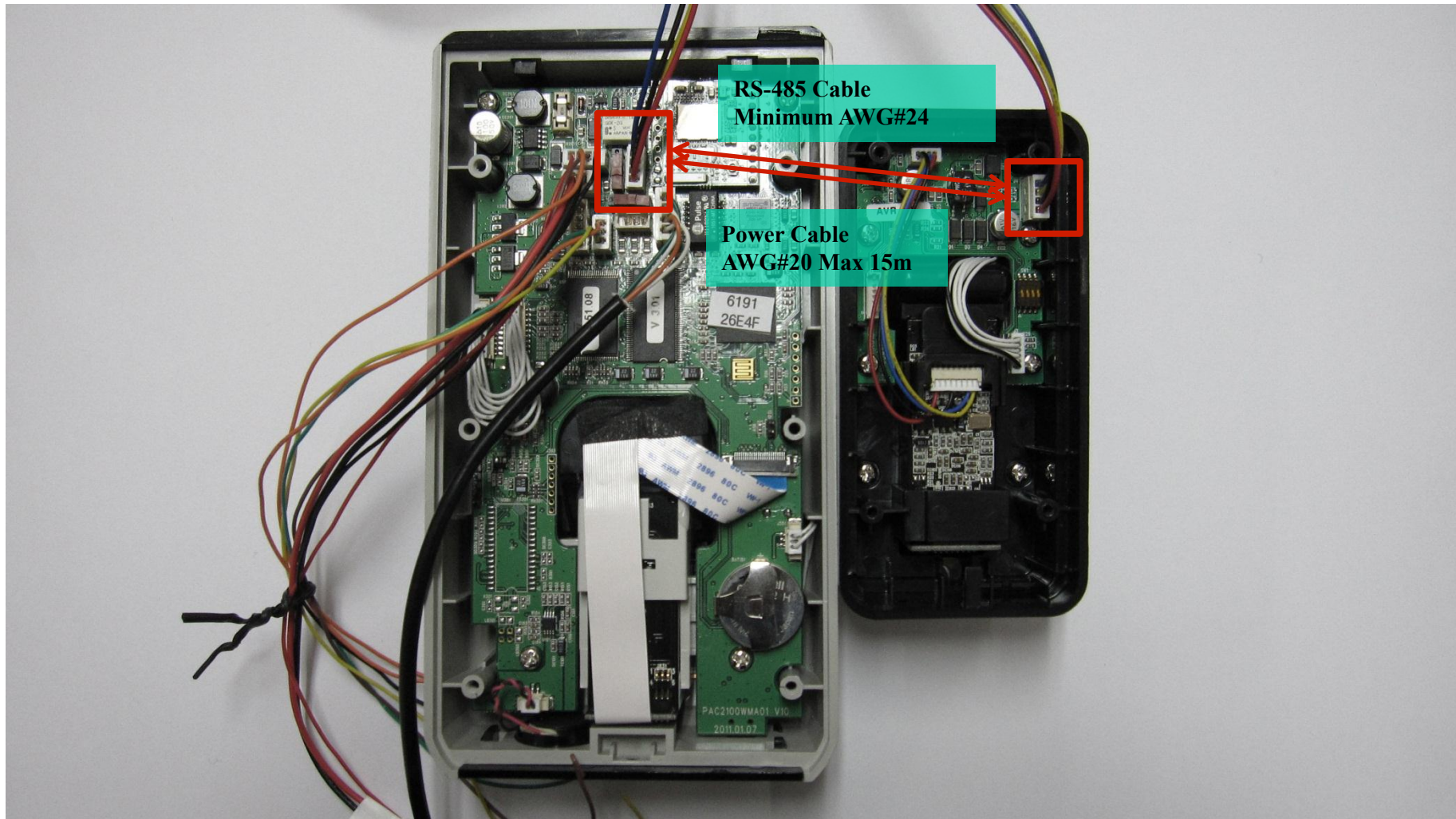
RS-485 Cable
Minimum AWG#24

485B-
485A+
GND
+5V

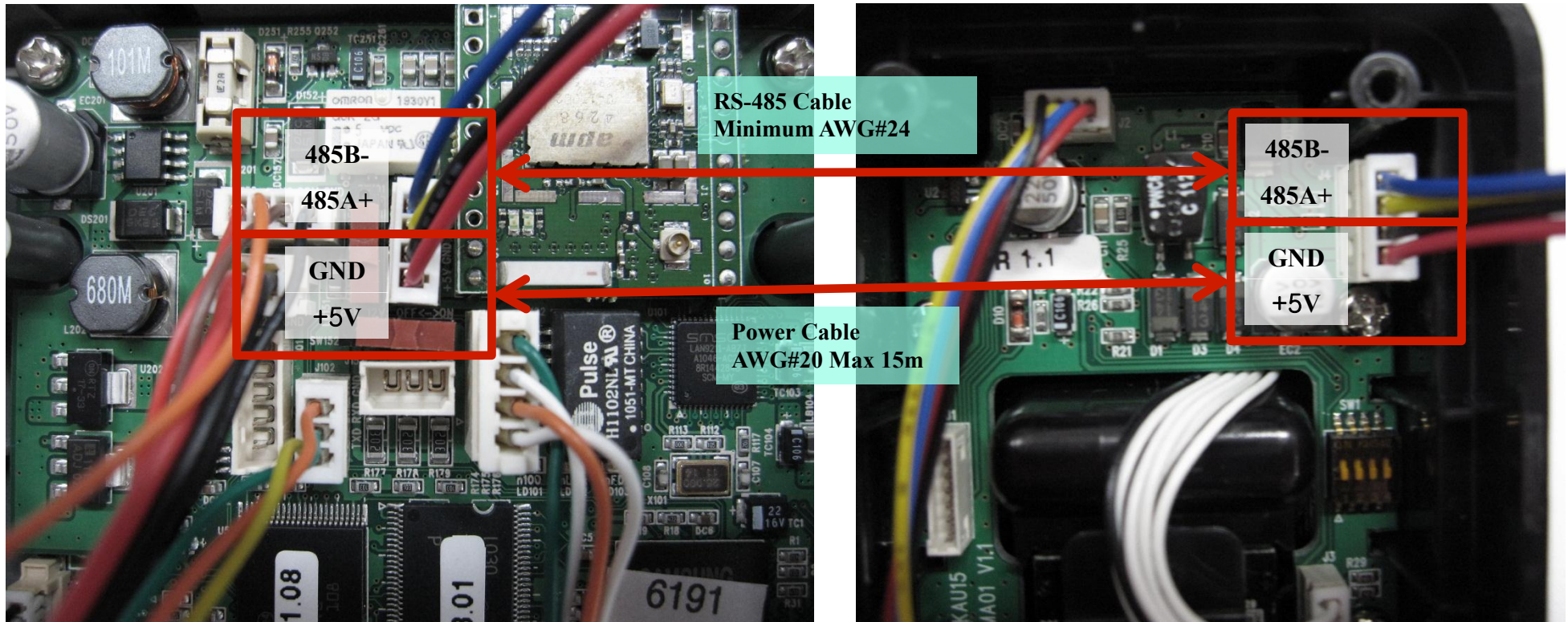
Power Cable
AWG#20 Max 15m



1. AC-2100 & SR-100FP Connection



1. AC-2100 & SR-100FP Connection



AC-2100 V3.0

SR-100FP

1-1. VIRDI-2100 & SR-100FP Setting

- How to set VIRDI-2100(V3.0) for using SR-100FP

Upgrade the latest firmware (from 30.51.08-008.00).

Push the buttons of terminal in this order.

[F3] – [6. Device] – [6. External Device] – [2. Dummy FP] – [Local AntiPB]

(If you want to set Anti-passback, select no.1 at [Local AntiPB].)

- UNIS Monitoring Screenshot

The screenshot displays the 'Real-time Monitoring' interface. On the left, the 'Client Status' table shows Client ID 0001 and Admin ID 0000 : Master Admin. The main 'Authentication Log List' table contains the following data:

Time	Terminal	User ID	Name	Emp...	Access Group	Class	Mode	Type	Result	External Device	Pass ...	
2011-12-21 13:35:28	0002 : AC2100	0003	Henry	0003	**** : Not Ass...	User	Access	1:N	Bad Pass back	Slave Reader	0	Anti-passback
2011-12-21 13:35:23	0002 : AC2100	0003	Henry	0003	**** : Not Ass...	User	Access	1:N	Success	Slave Reader	0	
2011-12-21 13:35:19	0002 : AC2100	0003	Henry	0003	**** : Not Ass...	User	Access	1:N	Bad Pass back		0	
2011-12-21 13:35:15	0002 : AC2100	0003	Henry	0003	**** : Not Ass...	User	Access	1:N	Success		0	AC2100
2011-12-21 13:35:08	0002 : AC2100	0003	Henry	0003	**** : Not Ass...	User	Access	1:N	Success	Slave Reader	0	SR100
2011-12-21 13:35:03	0002 : AC2100	0003	Henry	0003	**** : Not Ass...	User	Access	1:N	Bad Pass back		0	
2011-12-21 13:35:00	0002 : AC2100	0003	Henry	0003	**** : Not Ass...	User	Access	1:N	Bad Pass back		0	
2011-12-21 13:33:13	0002 : AC2100	0003	Henry	0003	**** : Not Ass...	User	Access	1:N	Success		0	
2011-12-21 13:33:10	0002 : AC2100	0003	Henry	0003	**** : Not Ass...	User	Access	1:N	Success	Slave Reader	0	
2011-12-21 13:33:02	0002 : AC2100	0003	Henry	0003	**** : Not Ass...	User	Access	1:N	Bad Pass back		0	
2011-12-21 13:32:58	0002 : AC2100	****			:	Visitor	Access	1:N	Not Matched		0	
2011-12-21 13:32:52	0002 : AC2100	****			:	Visitor	Access	1:N	Not Matched	Slave Reader	0	
2011-12-21 11:40:05	0002 : AC2100	0001	Shin	0001	**** : Not Ass...	User	Access	1:N	Bad Pass back	Slave Reader	0	

If terminal is connected with SR-100FP, Anti-passback is activated automatically without UNIS setting.
SR-100FP is considered as Slave Reader.

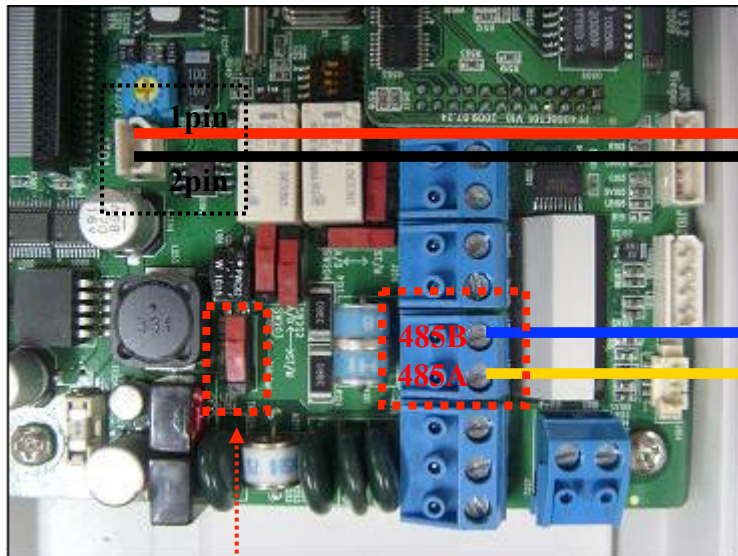
2. VIRDI-4000 & SR-100FP Connection



VIRDI-4000 V3.5 (from 12.53.07-000.01)



SR-100FP



Power Cable
AWG#20 Max 15m

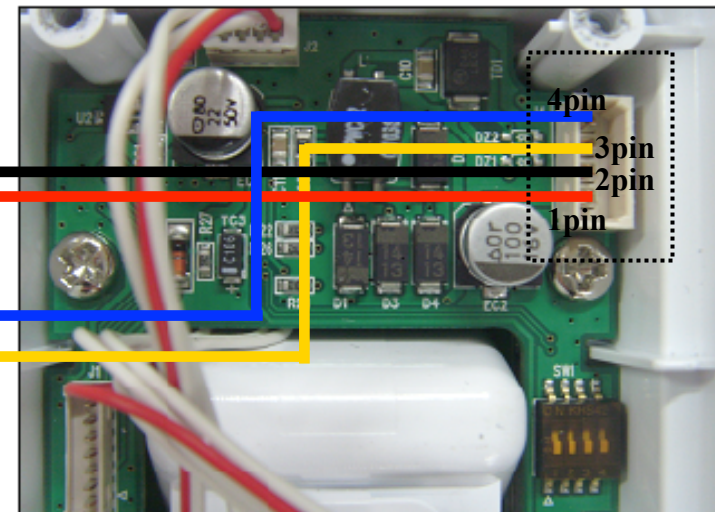
GND

+5V

485B-

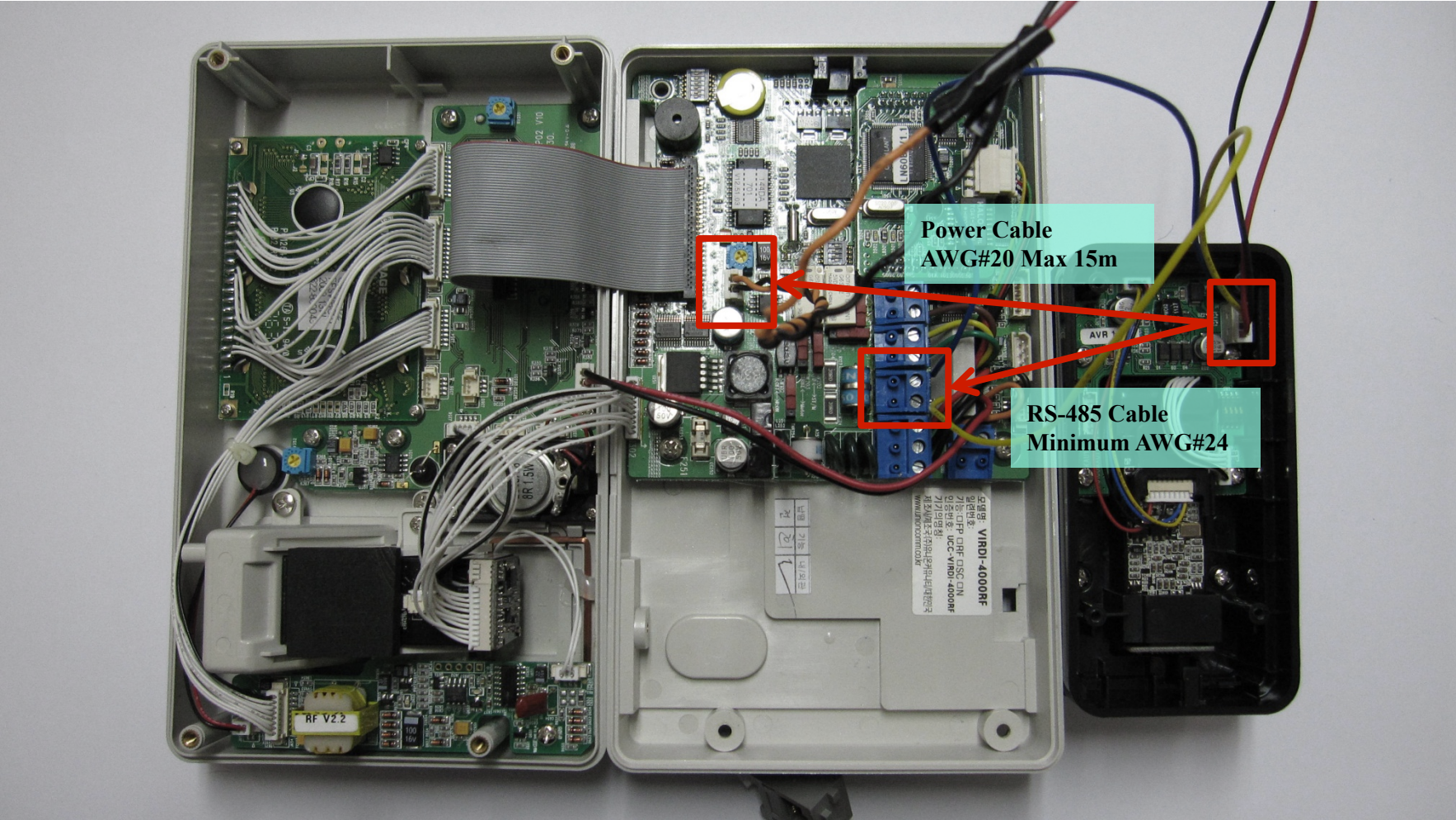
485A+

RS-485 Cable
Minimum AWG#24

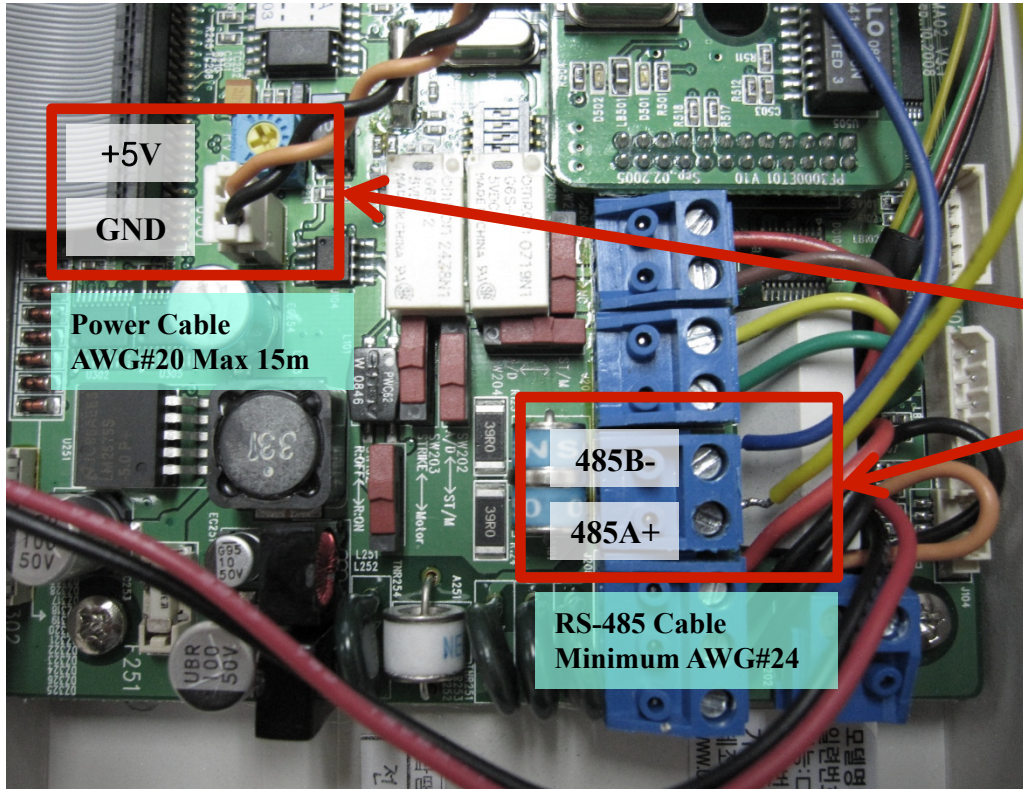


Switch ON position

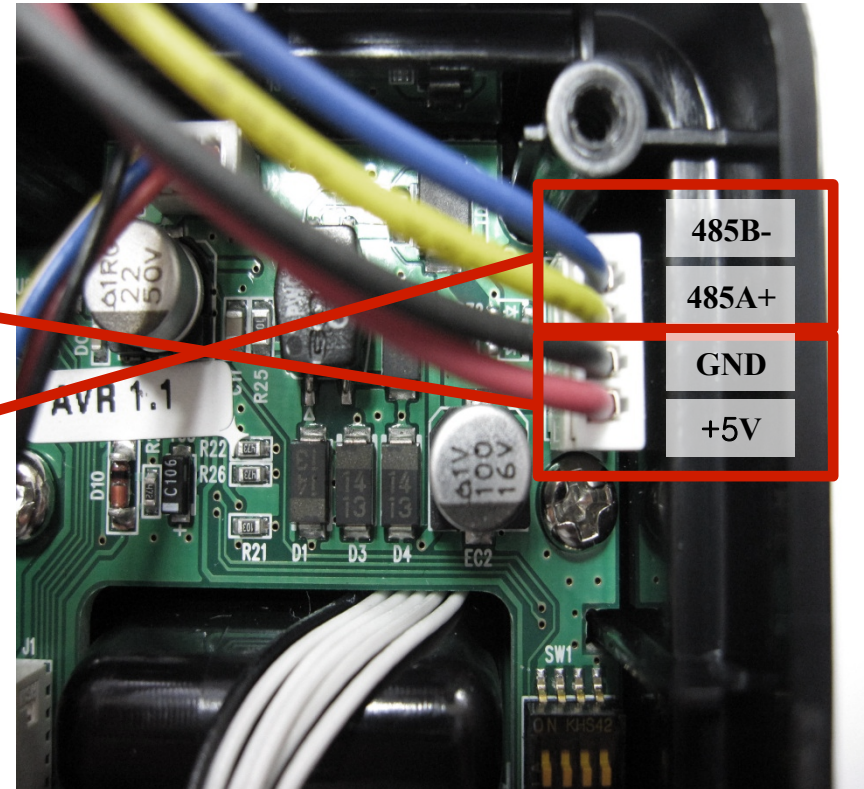
2. VIRDI-4000 & SR-100FP Connection



2. VIRDI-4000 & SR-100FP Connection



VIRDI-4000



SR-100FP

2-1. VIRDI-4000 & SR-100FP Setting

- **How to set VIRDI-4000 for using SR-100FP**
Upgrade the latest firmware (from **12.53.07-000.01**).

Push the buttons of terminal in this order.

[*] – [6. Device] – [Password : 084265] – [Enter] - [7. External Device] – [2. Dummy FP] – [Local AntiPB]
(If you want to set Anti-passback, select no.1 at [Local PB].)

- UNIS Monitoring Screenshot

Real-time Monitoring														
Client Status		Authentication Log List												
Client ID	Admin ID	Time	Terminal	User ID	Na...	Emp No.	Access Group	Class	Mode	Type	Result	External Device	Pass C...	
0001	0000 : Master Admin	2011-12-21 10:21:23	0002 : AC4000	0001	Shin	0001	**** : Not Ass...	User	Access	1:N	Bad Pass back	Slave Reader	0	
		2011-12-21 10:18:55	0002 : AC4000	0001	Shin	0001	**** : Not Ass...	User	Access	1:N	Bad Pass back	Slave Reader	0	Anti-passback
		2011-12-21 10:18:35	0002 : AC4000	0001	Shin	0001	**** : Not Ass...	User	Access	1:N	Bad Pass back	Slave Reader	0	
		2011-12-21 10:18:33	0002 : AC4000	****			:	Visitor	Access	1:N	Capture Failed		0	
		2011-12-21 10:18:26	0002 : AC4000	****			:	Visitor	Access	1:N	Not Matched		0	
		2011-12-21 10:18:23	0002 : AC4000	0001	Shin	0001	**** : Not Ass...	User	Access	1:N	Success	Slave Reader	0	SR100
		2011-12-21 10:18:18	0002 : AC4000	0001	Shin	0001	**** : Not Ass...	User	Access	1:N	Success		0	AC4000
		2011-12-21 10:18:10	0002 : AC4000	****			:	Visitor	Access	1:N	Not Matched		0	
		2011-12-21 10:18:08	0002 : AC4000	0001	Shin	0001	**** : Not Ass...	User	Access	1:N	Bad Pass back	Slave Reader	0	

If terminal is connected with SR-100FP, Anti-passback is activated automatically without UNIS setting.
SR-100FP is considered as Slave Reader.