

Installation Guide for VIRDI-4000 V3.2

Fingerprint Identification Terminal



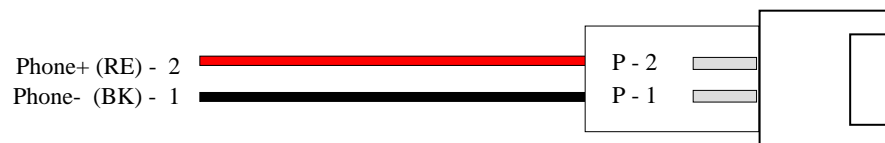
Doc. Ver. : V1.40

Aug., 25, 2009

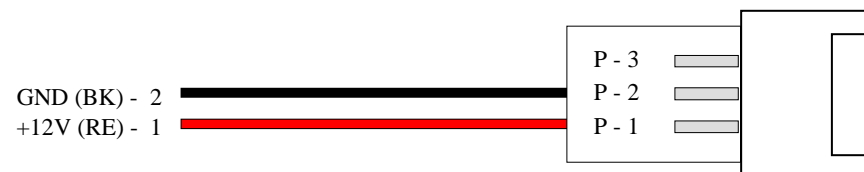
R&D Center

Union Community Co., Ltd.

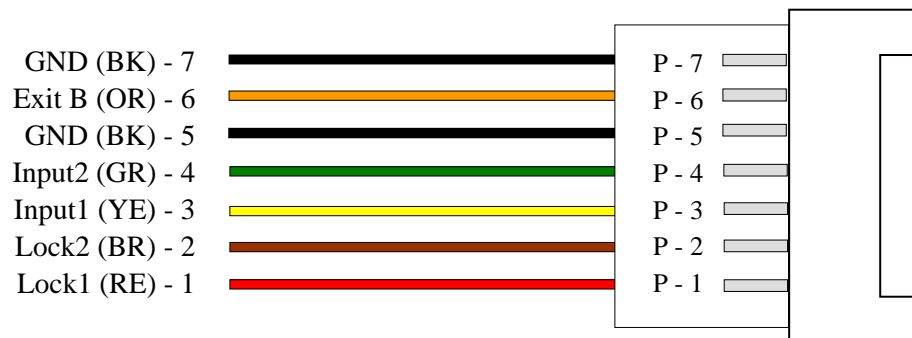
1. External Connectors



Door Phone Interface

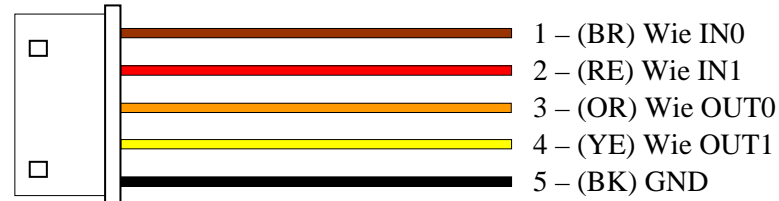


Power Adapter Interface

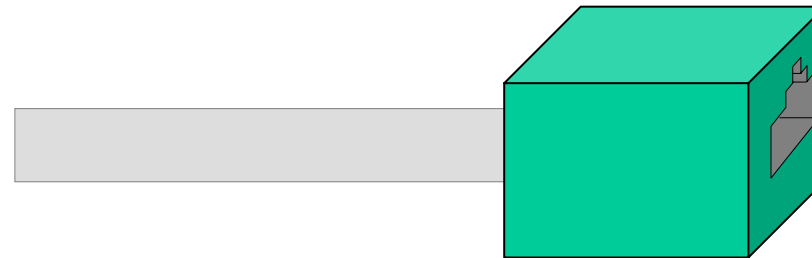


Door Lock/Control Input Interface

1. External Connectors

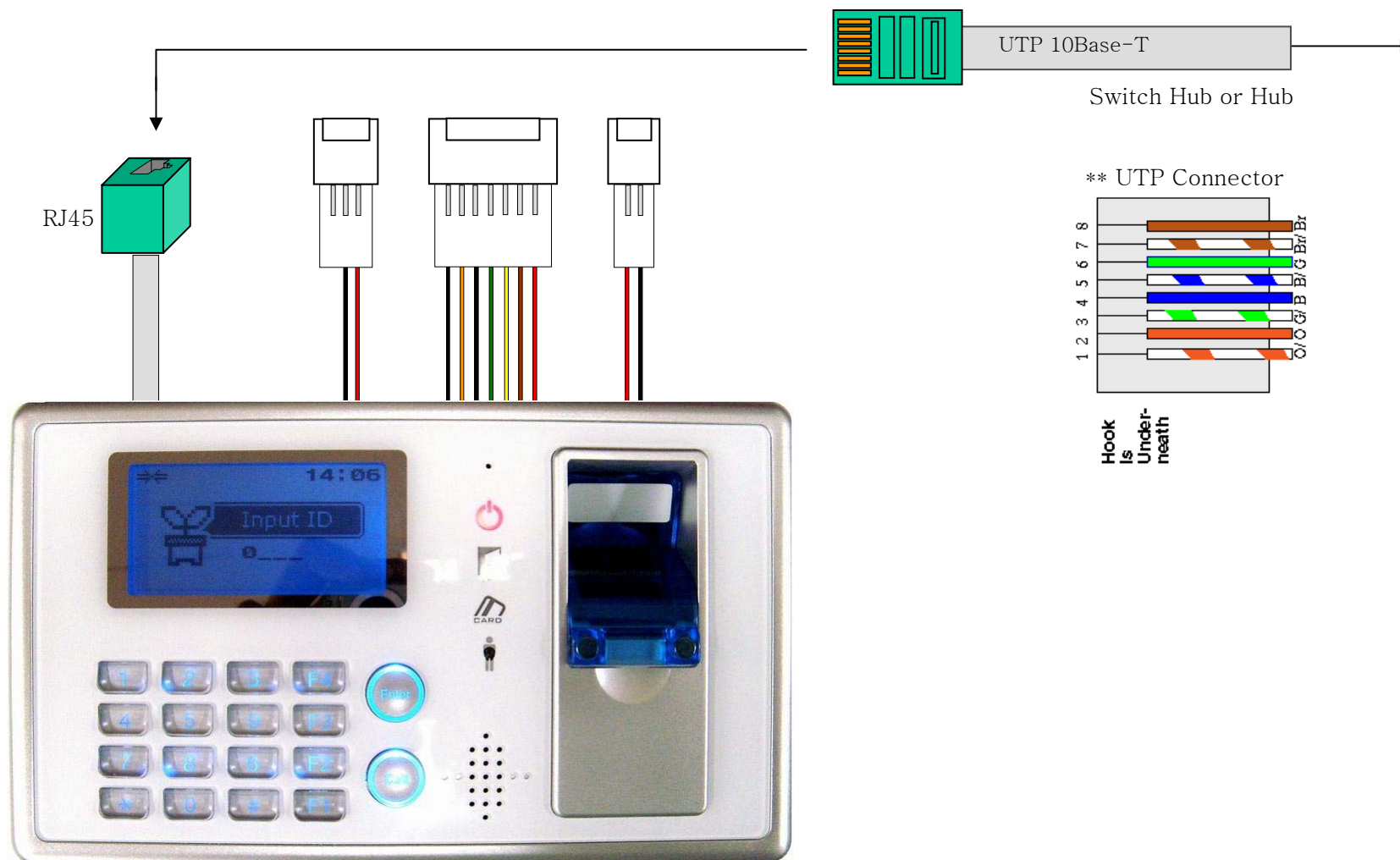


Wiegand
Interface

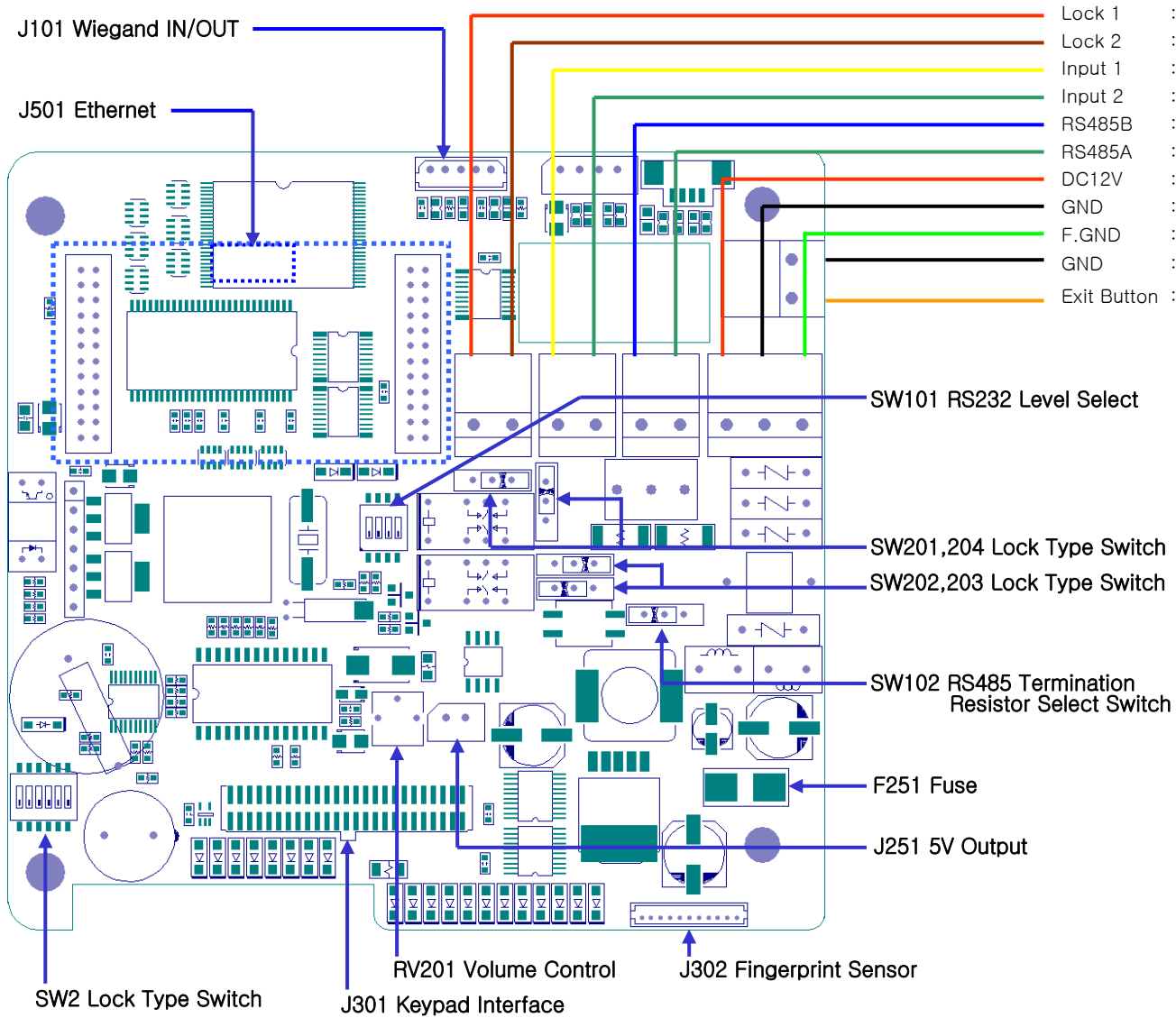


10Base-T Ethernet
Interface (RJ45)

2. Connecting Ethernet (LAN) Cable



3. Main Board Feature



- Lock 1 : Lock Control Output
- Lock 2 : Lock Control Output
- Input 1 : Door Monitor Input 1
- Input 2 : Door Monitor Input 2
- RS485B : RS-485 B
- RS485A : RS-485 A
- DC12V : DC 12V Input
- GND : DC Input Ground
- F.GND : Field Ground
- GND : Inside Open GND
- Exit Button : Inside Open Exit Button

- J101 Wiegand IN/Out :**
- 1 : Wiegand IN 0 (Brown)
 - 2 : Wiegand IN 1 (Red)
 - 3 : Wiegand Out 0 (Orange)
 - 4 : Wiegand Out 1 (Yellow)
 - 5 : Ground (Black)

Switch Setting I [RS-232 Level Selection]
 SW101 : Default Setting =>1,4 :ON
 Serial0 => 232 Driver Level : 1:ON, 2:OFF
 232 TTL Level : 1:OFF, 2:ON
 Serial1 => 232 Driver Level : 3:ON, 4:OFF
 232 TTL Level : 3:OFF, 4:ON

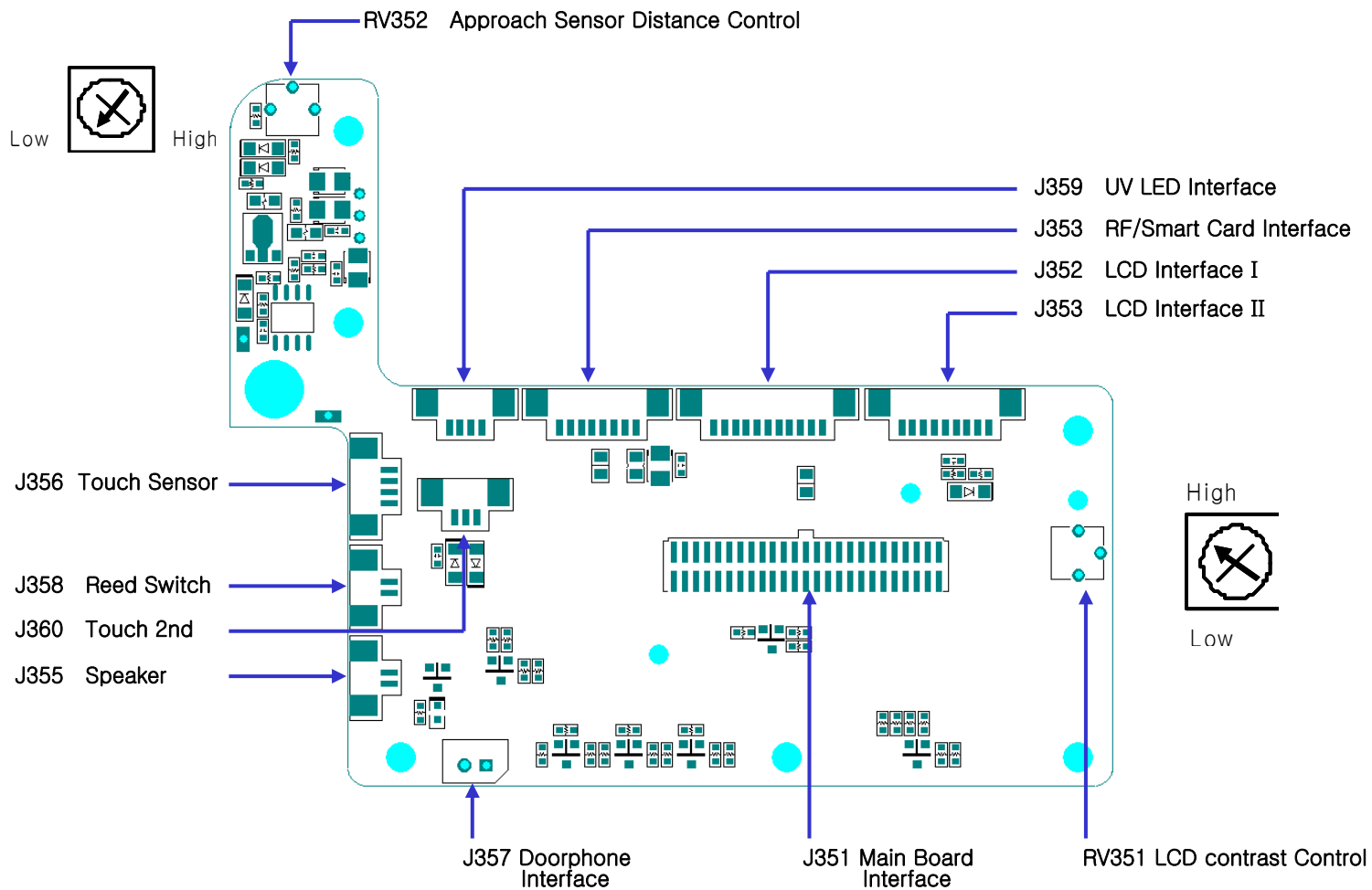
Switch Setting II [Lock Type Selection]
 SW201 : NO [Normal Open Relay Contact]
 NC [Normal Close Relay Contact]
 SW202 : ST/M [Strike/Motor/Dead-Bolt Lock]
 A/D [Auto Door Selection]
 SW203 : Strike [Strike, Auto Door, Dead bolt]
 Motor [Motor Lock Selection]
 SW204 : ST/M [Strike/Motor/Dead-bolt Lock]
 A/D [Auto Door Selection]

Switch Setting III [RS485 T_Resistor Selection]
 SW201 : ON [120ohm termination resistor]
 OFF [Open the termination resistor]

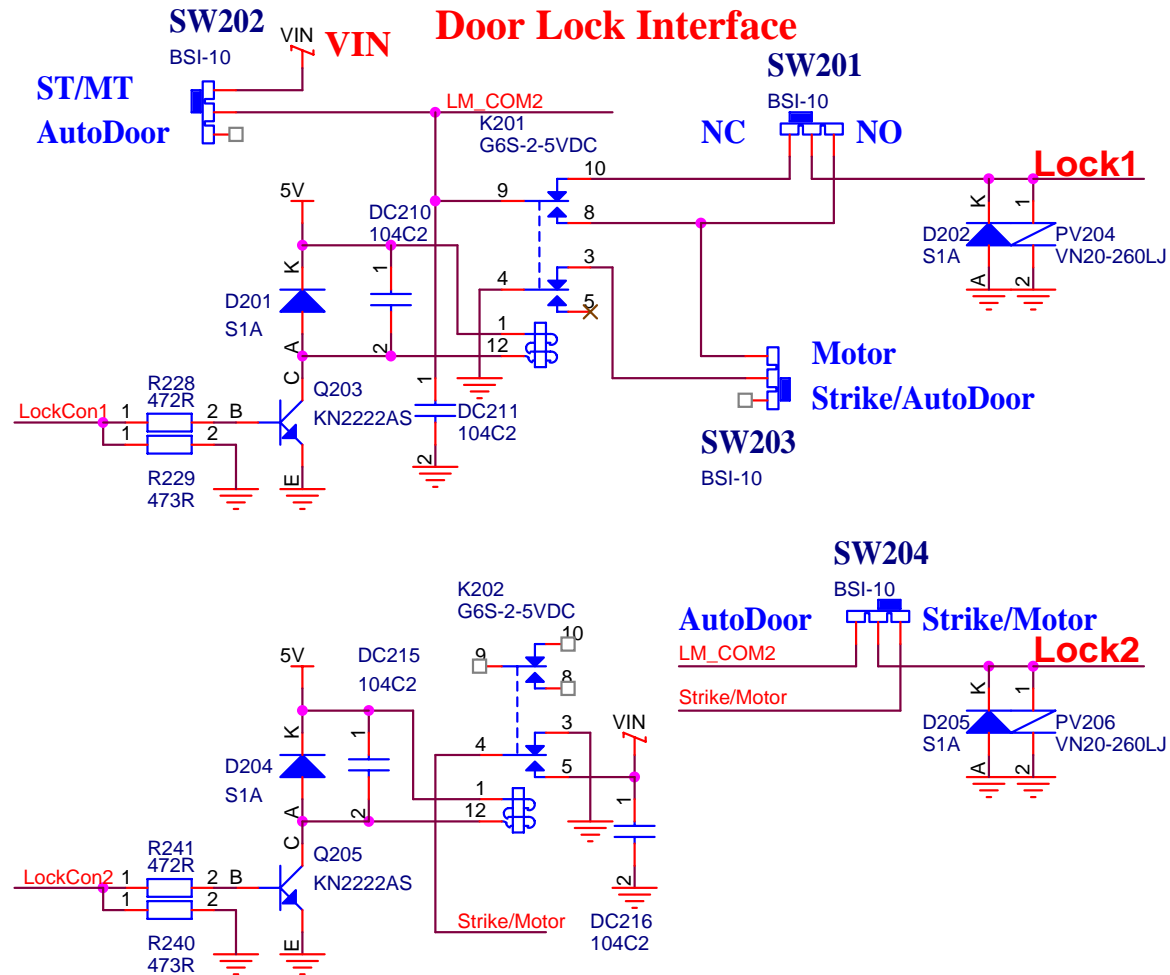
SW2 Dip Switch : Default Setting =>3:ON

- 1 : Option (RS485 Product ID)
- 2 : Option (RS485 Product ID)
- 3 : Motor (on) / Strike (off) Select
- 4 : Reserved
- 5 : Reserved
- 6 : Reserved

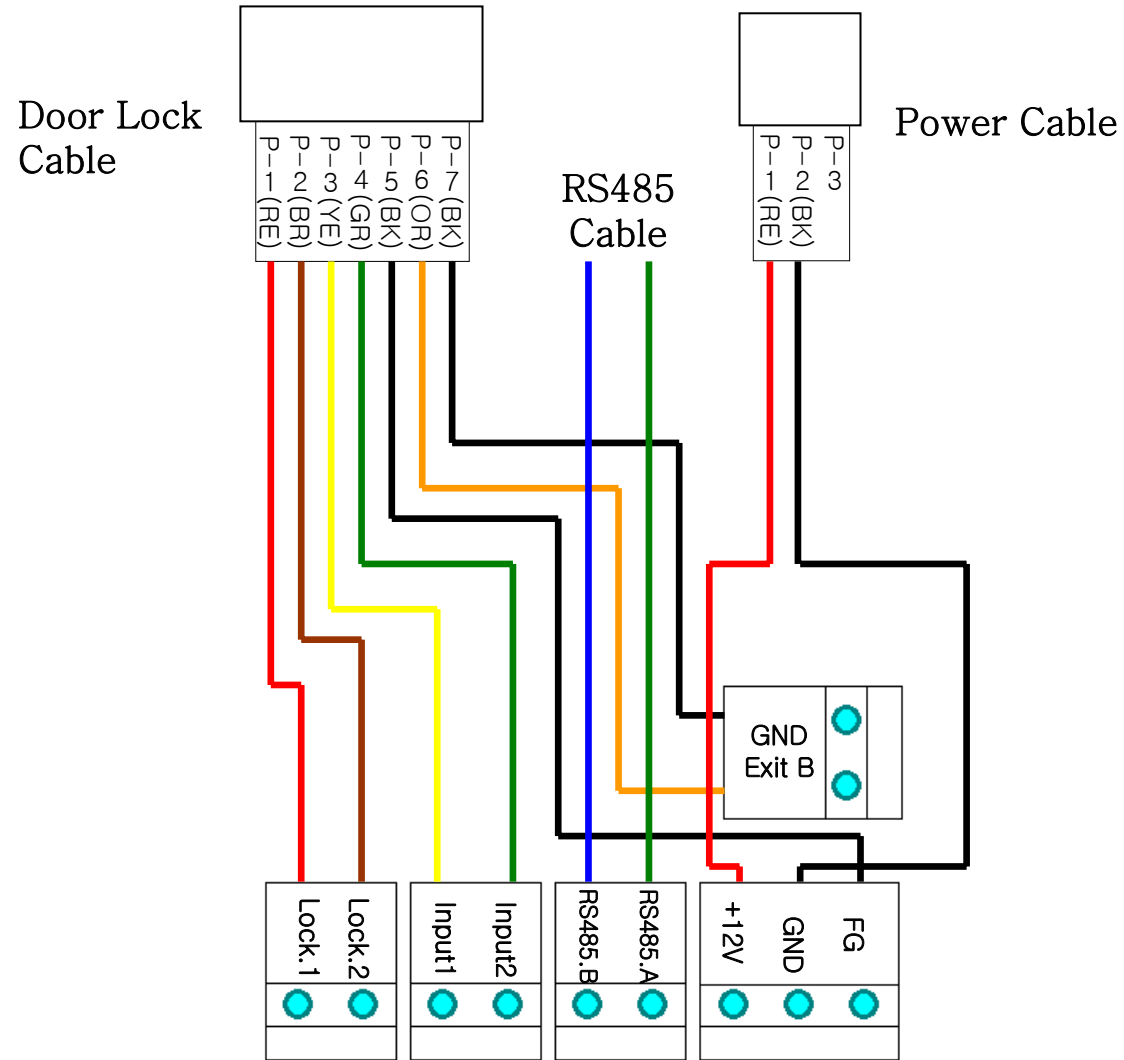
4. Keypad Board Feature



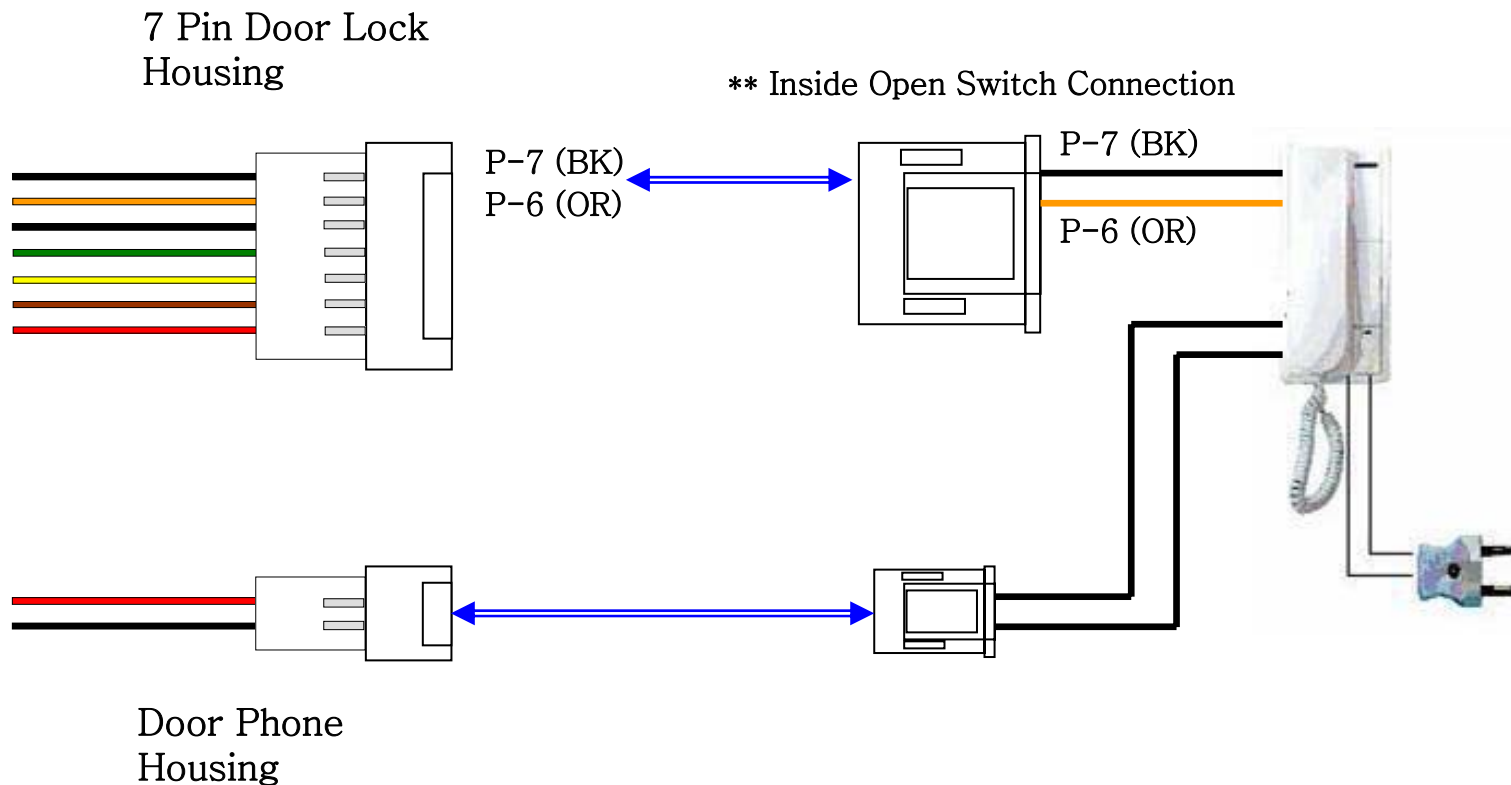
5. Schematic for Door Lock Interface



6. Connections of harness to terminal blocks



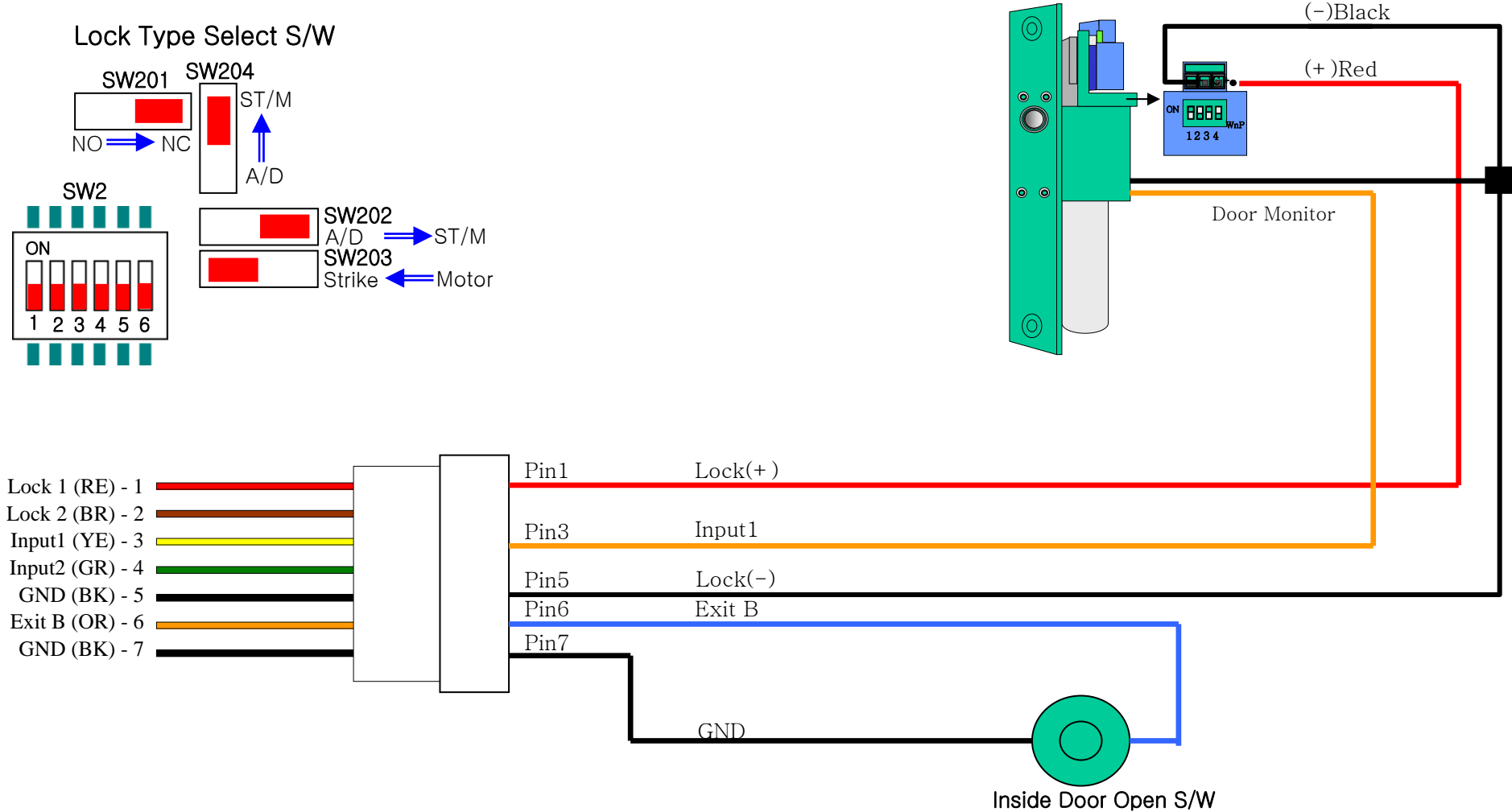
7. Connecting Door Phone



※ The Installation distance is Max 30M(100feet) between VIRDI-4000 and Door Phone.
If you want to call the door phone, please use the “Call” button.

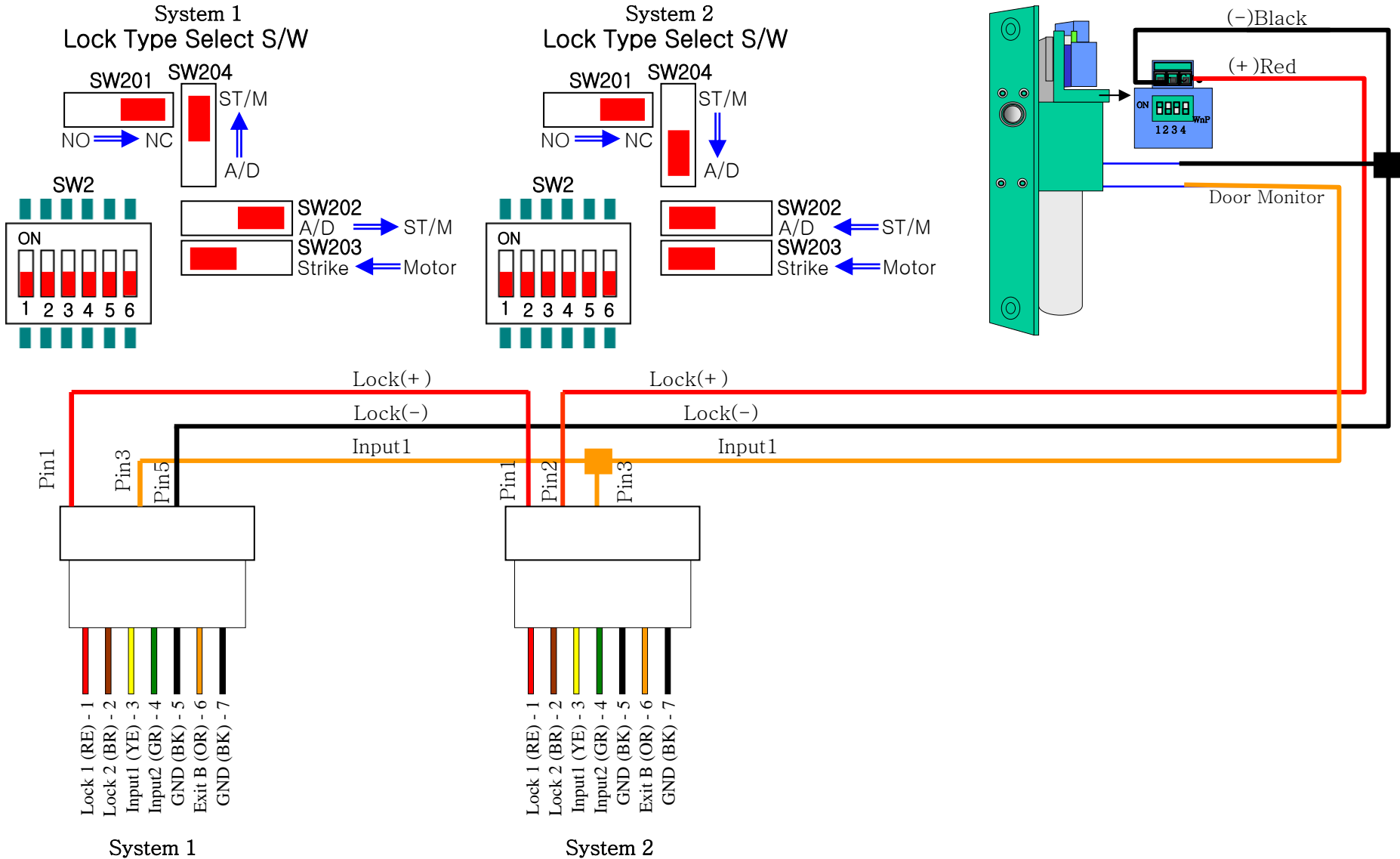
8. Connecting Dead-Bolt Type Door Lock (Fail Safe)

8.1. Connect with One System/ One Lock



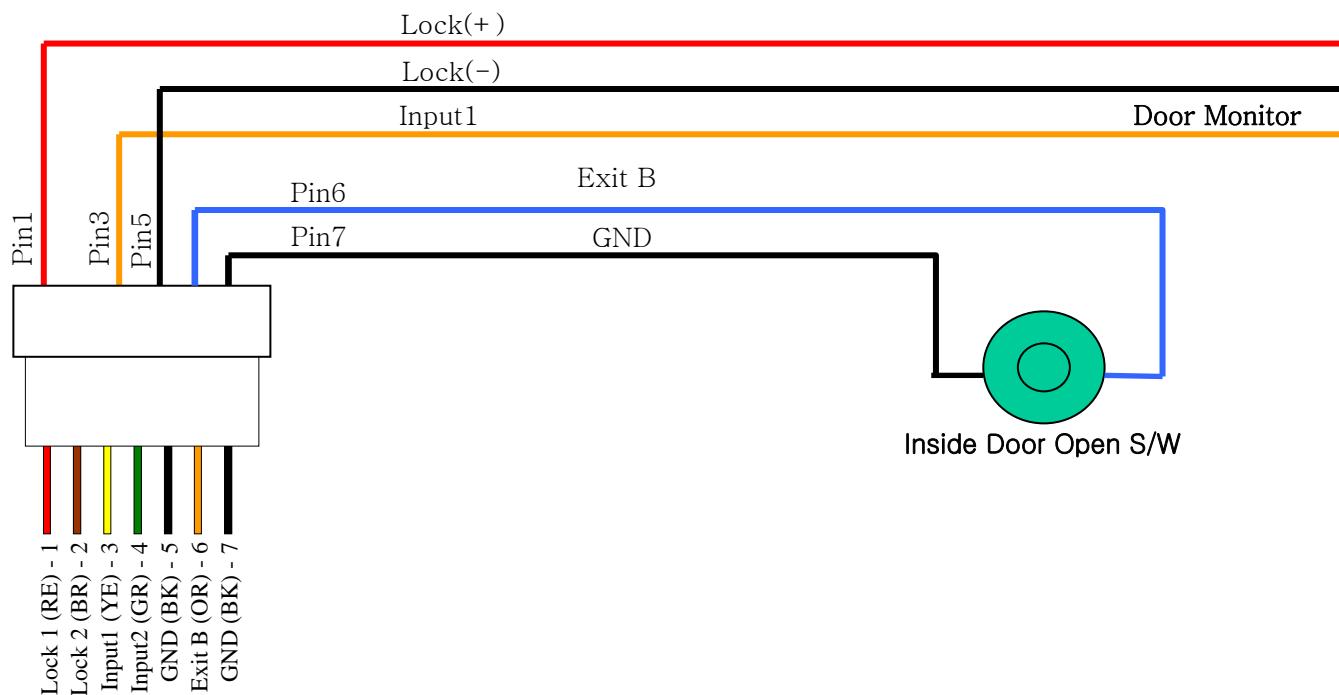
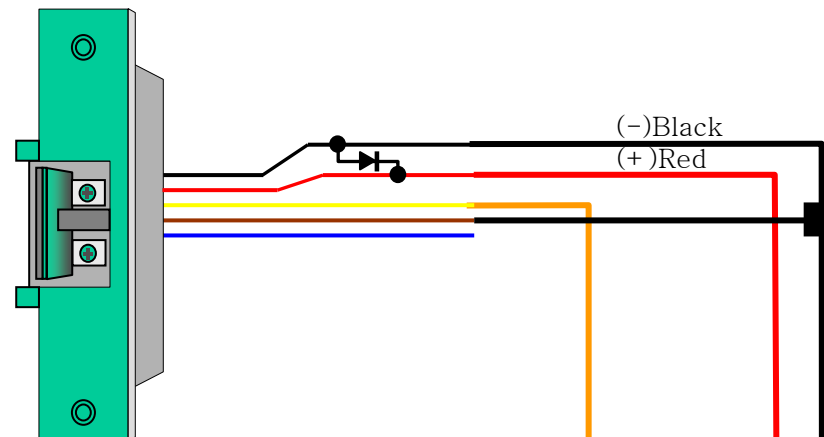
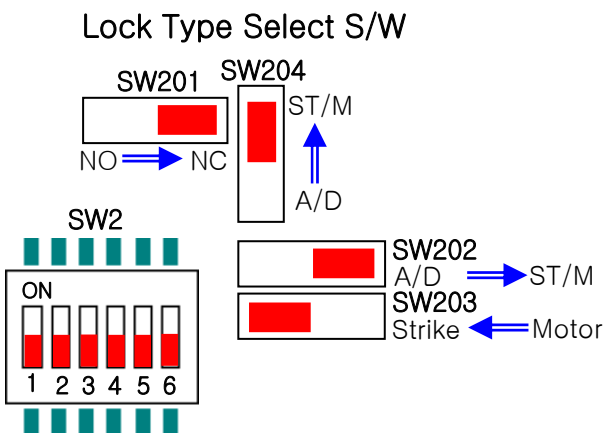
8. Connecting Dead-Bolt Type Door Lock (Fail Safe)

8.2. Connect with Two Systems/ One Lock



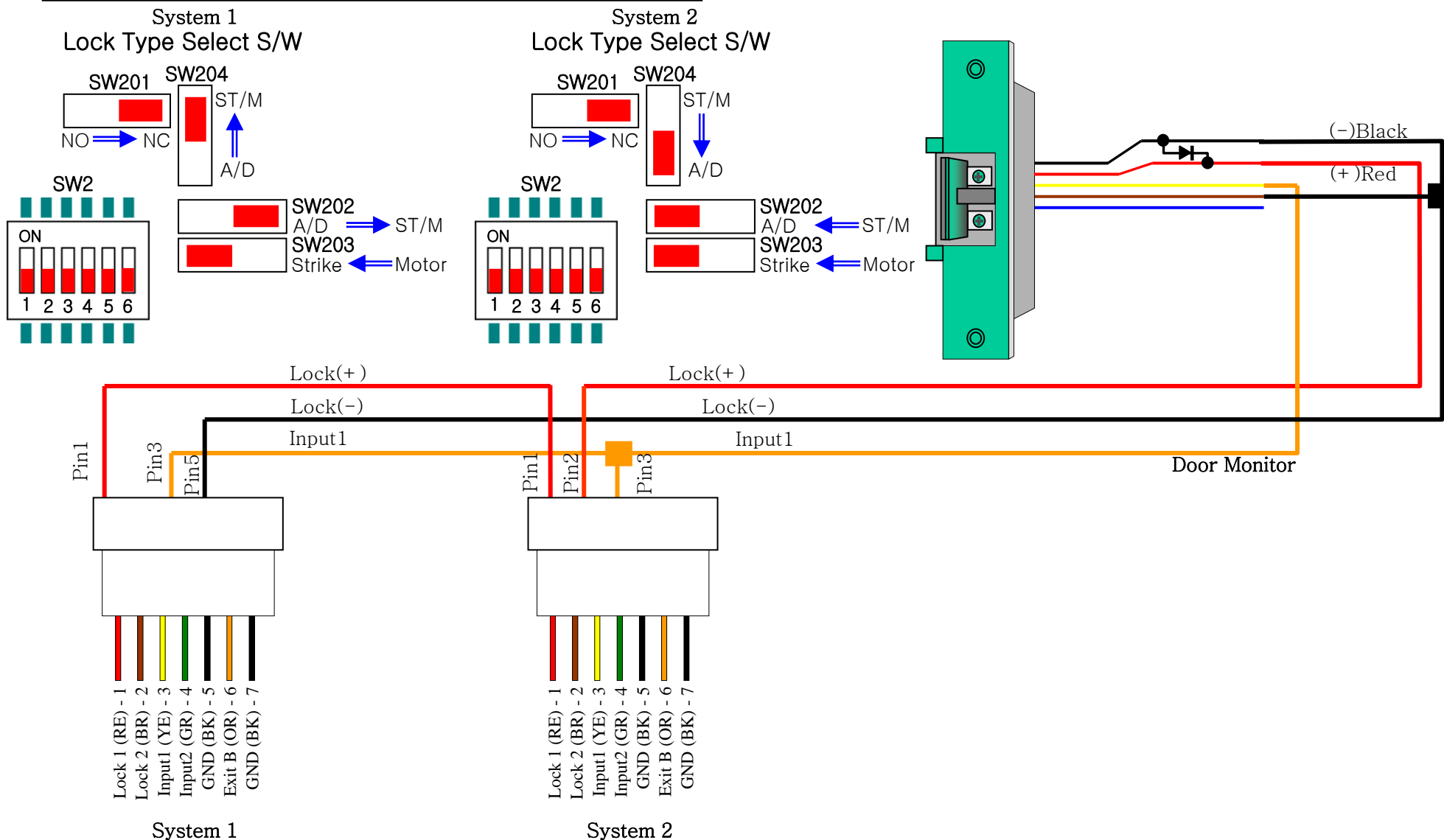
9. Connecting Strike Type Door Lock (Fail Safe)

9.1. Connect with One system/ One Lock



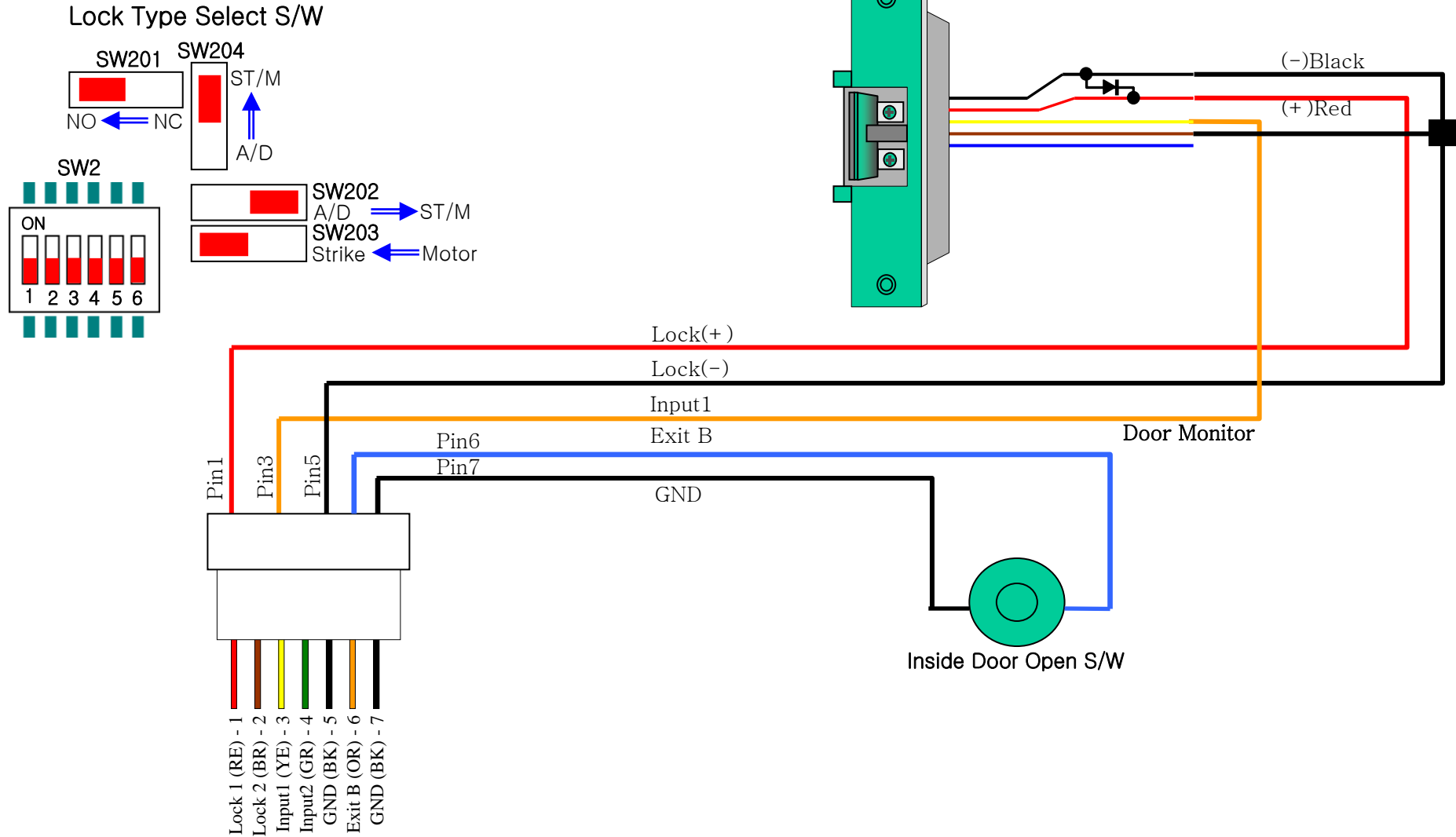
9. Connecting Strike Type Door Lock (Fail Safe)

9.2. Connect with Two systems/ One Lock



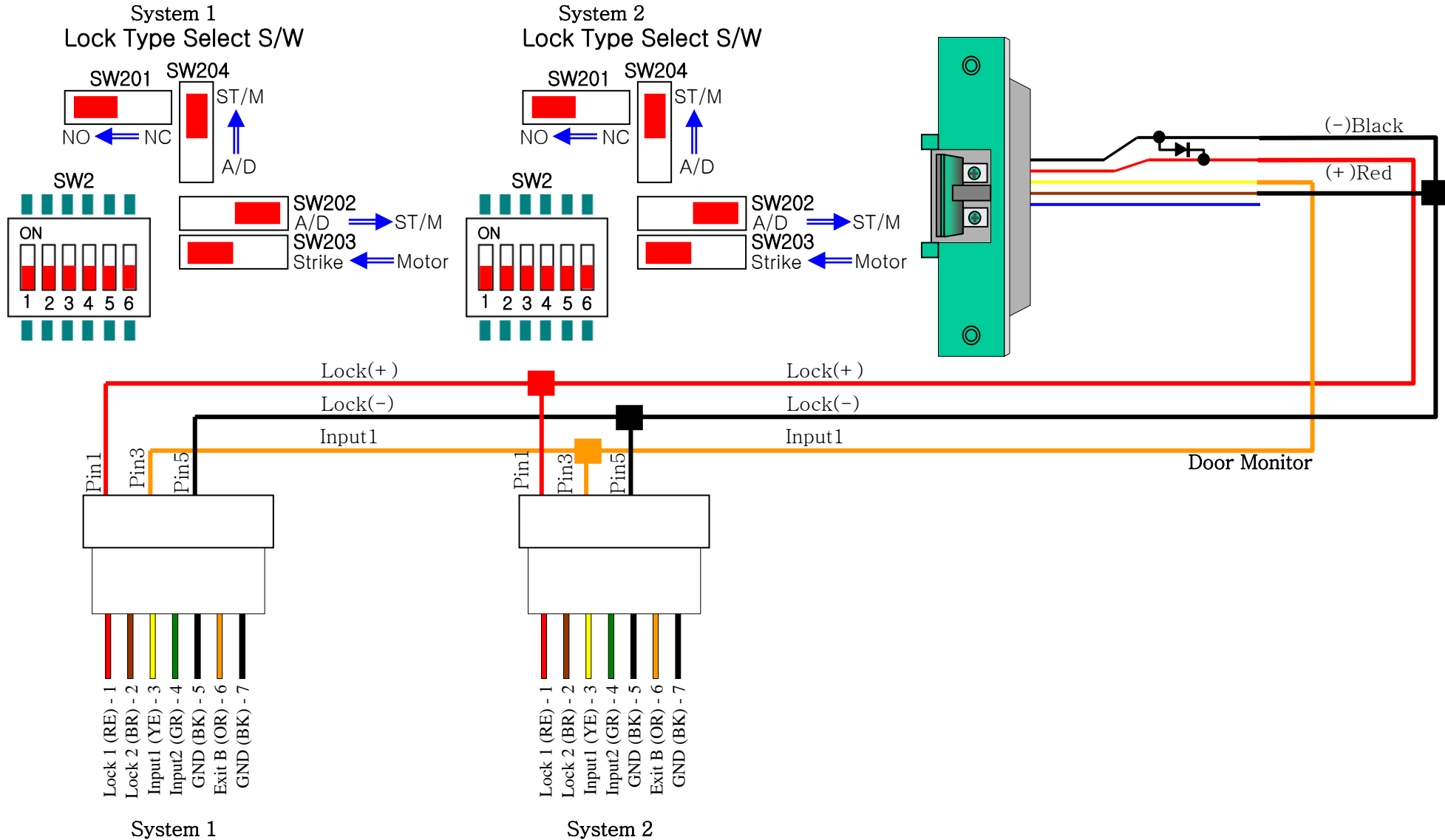
10. Connecting Strike Type Door Lock (Fail Secure)

10.1. Connect with One system/ One Lock



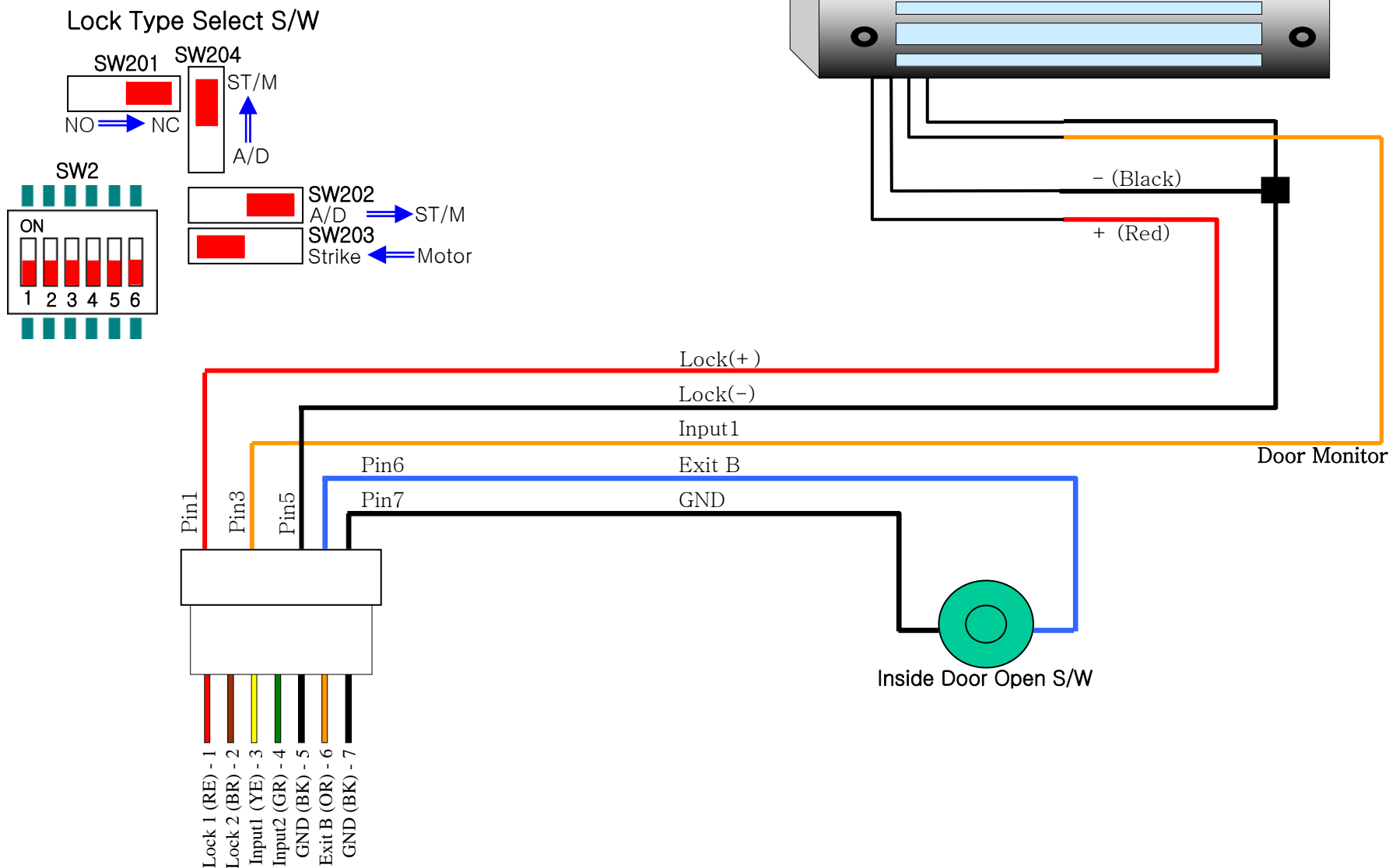
10. Connecting Strike Type Door Lock (Fail Secure)

10.2. Connect with Two systems/ One Lock



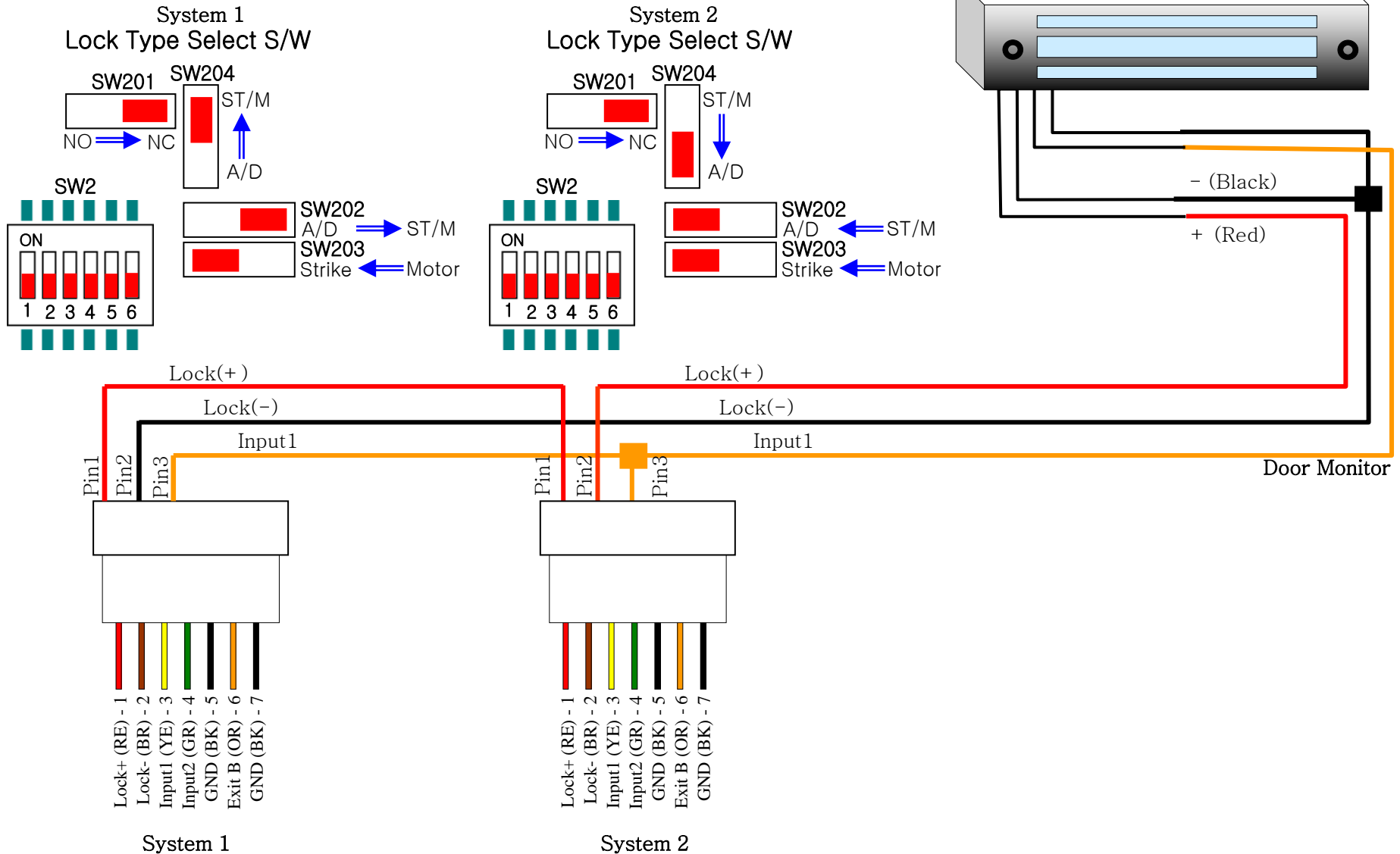
11. Connecting EM Type Door Lock (Fail Safe)

11.1. Connect with One system/ One Lock



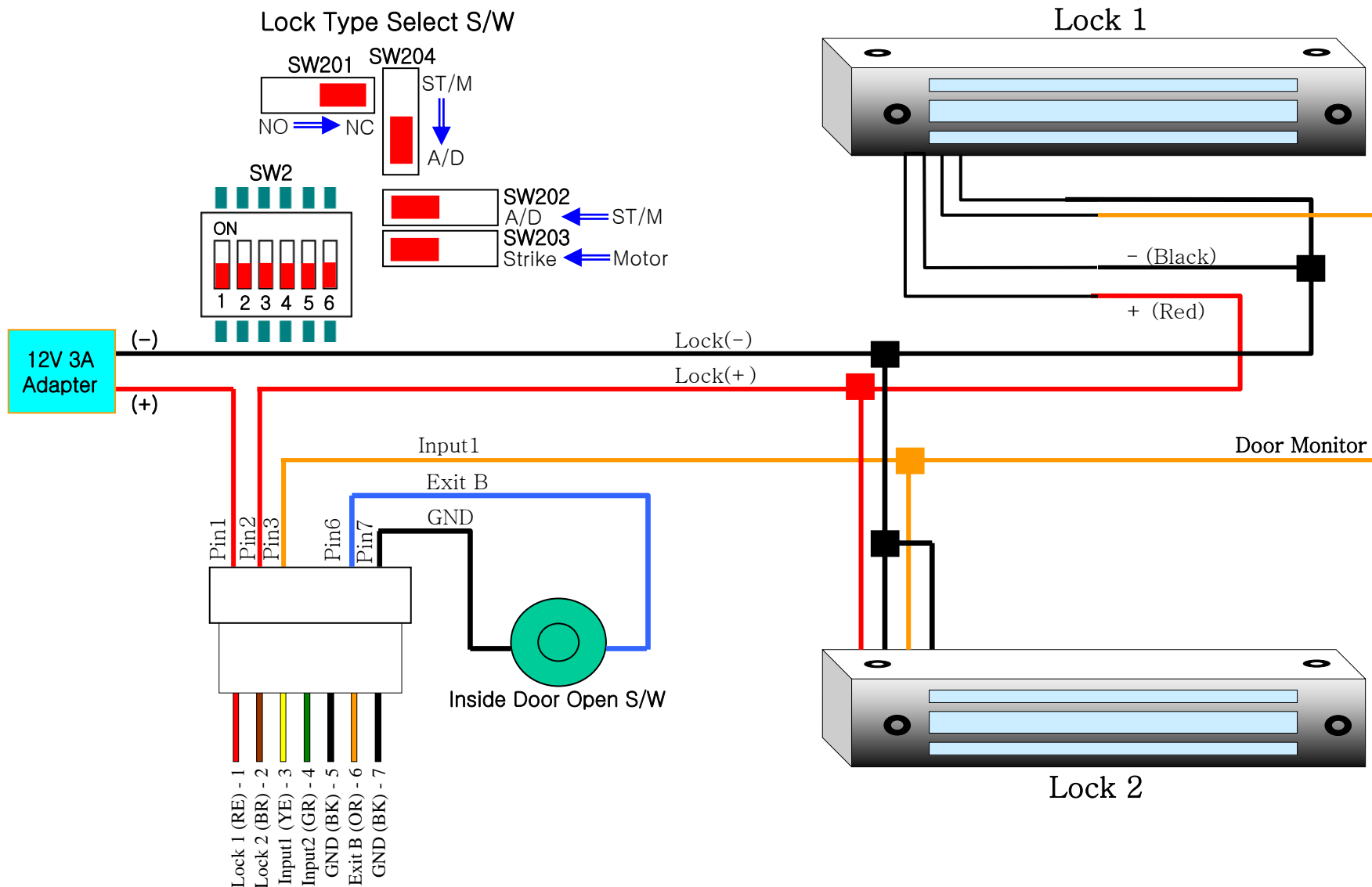
11. Connecting EM Type Door Lock(Fail Safe)

11.2. Connect with Two System/ One Lock



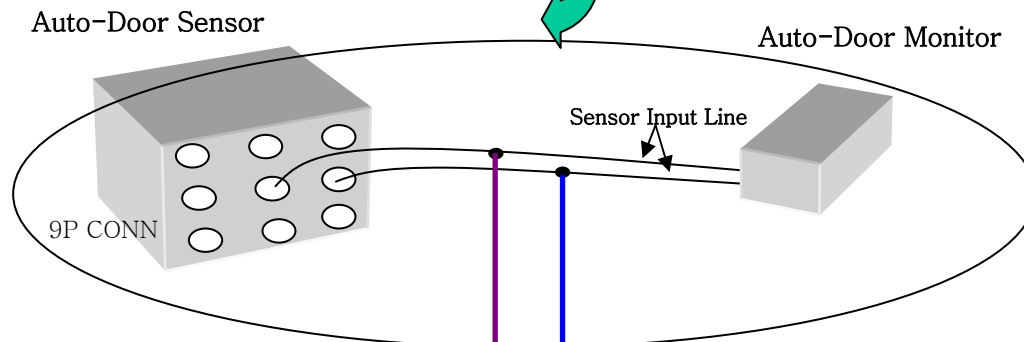
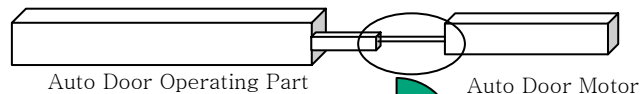
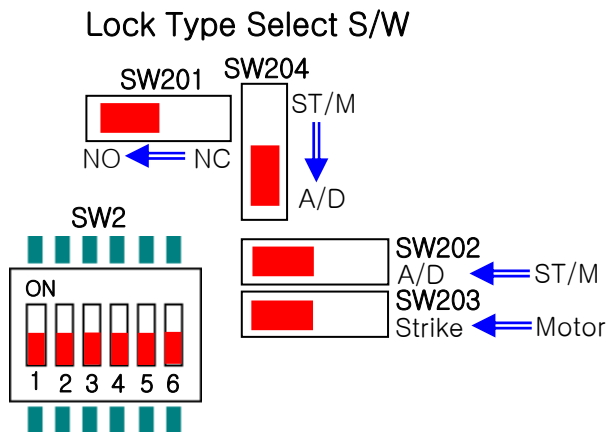
11. Connecting EM Type Door Lock (Fail Safe)

11.3. Connect with One system/ Two Locks ** Use external DC Power adapter



12. Connecting Auto-Door (Contact Control)

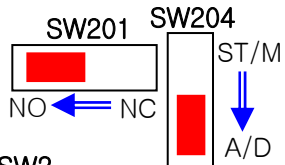
12.1. Connect with One system/ One Door



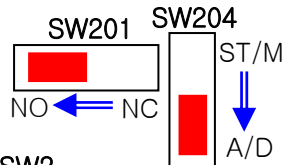
12. Connecting Auto-Door (Contact Control)

12.2. Connect with Two systems/ One Door

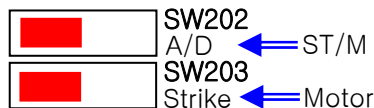
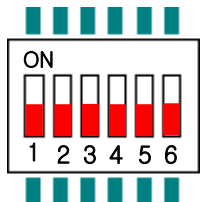
System 1
Lock Type Select S/W



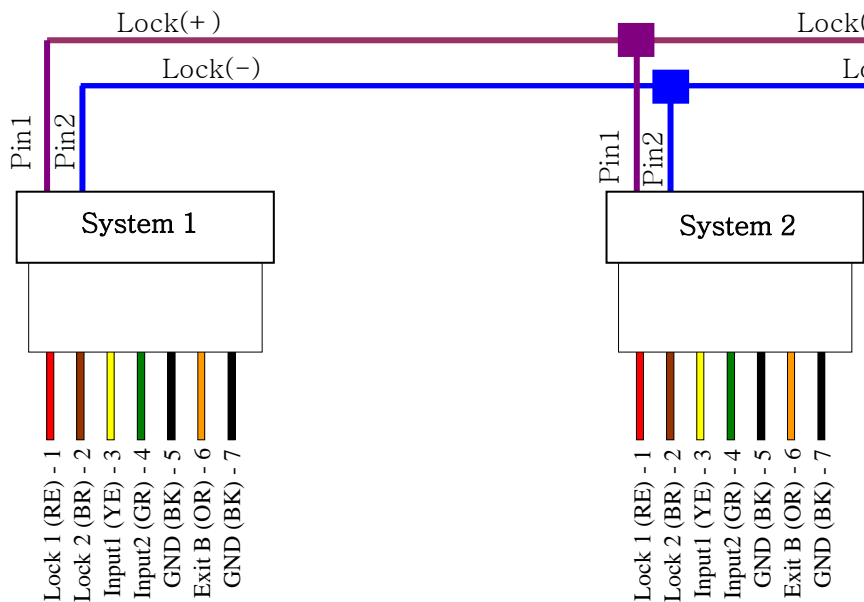
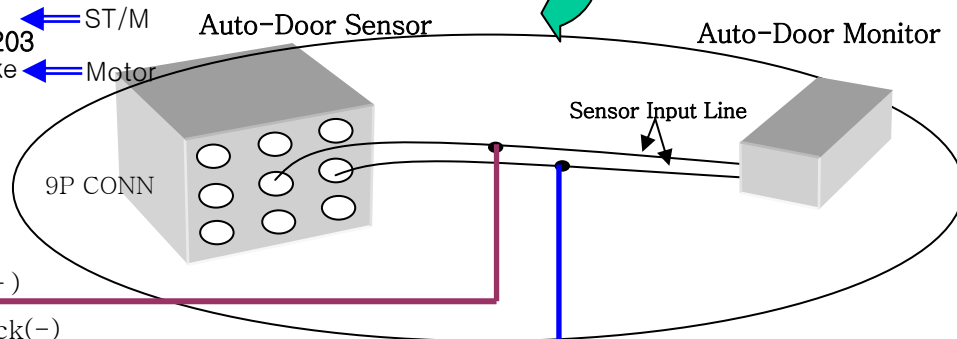
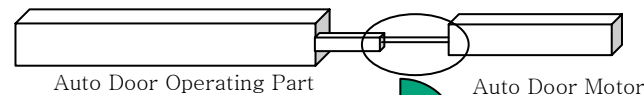
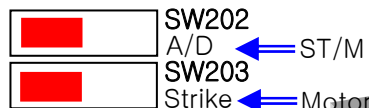
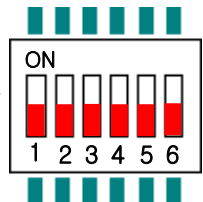
System 2
Lock Type Select S/W



SW2

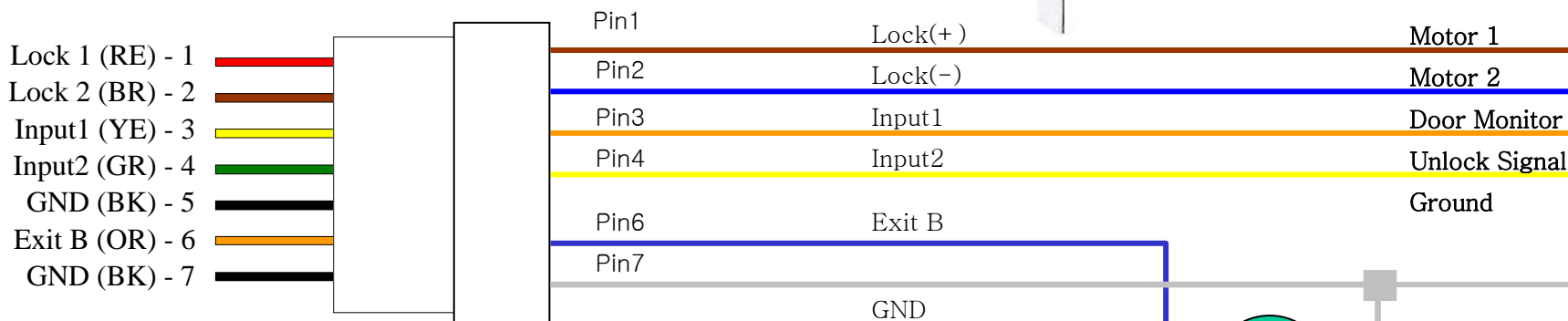
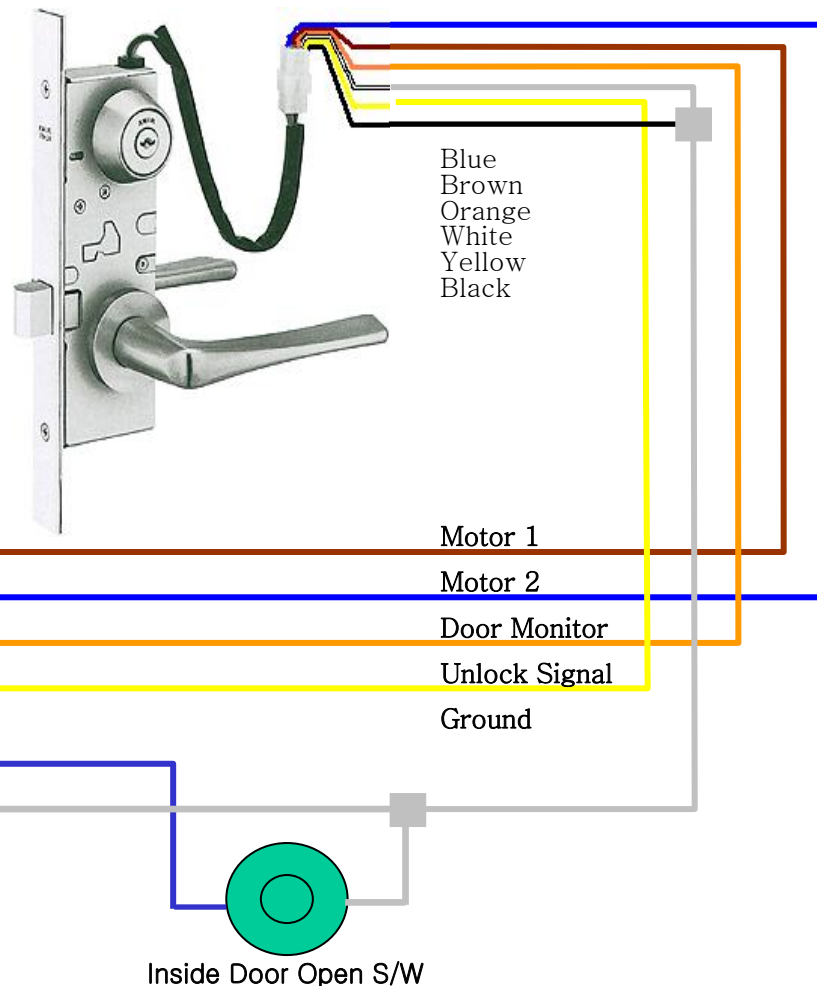
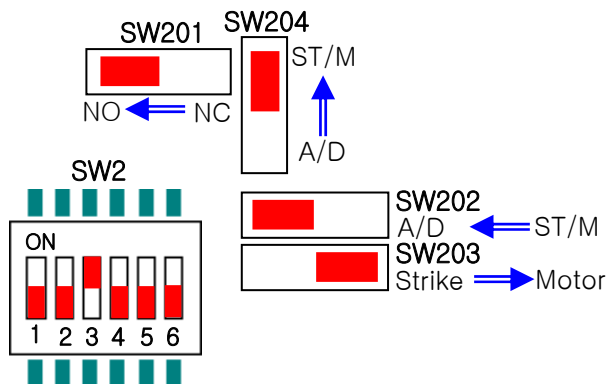


SW2

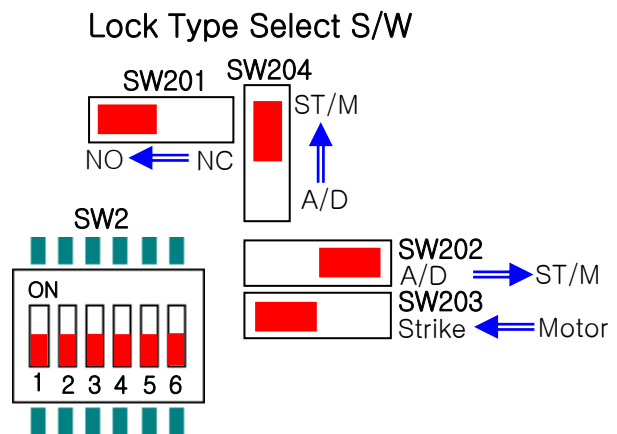


13. Connecting Motor Lock

Lock Type Select S/W



14. Connecting 2 Emergency Lamps



Emergency Lamp 1



Emergency Lamp 2

